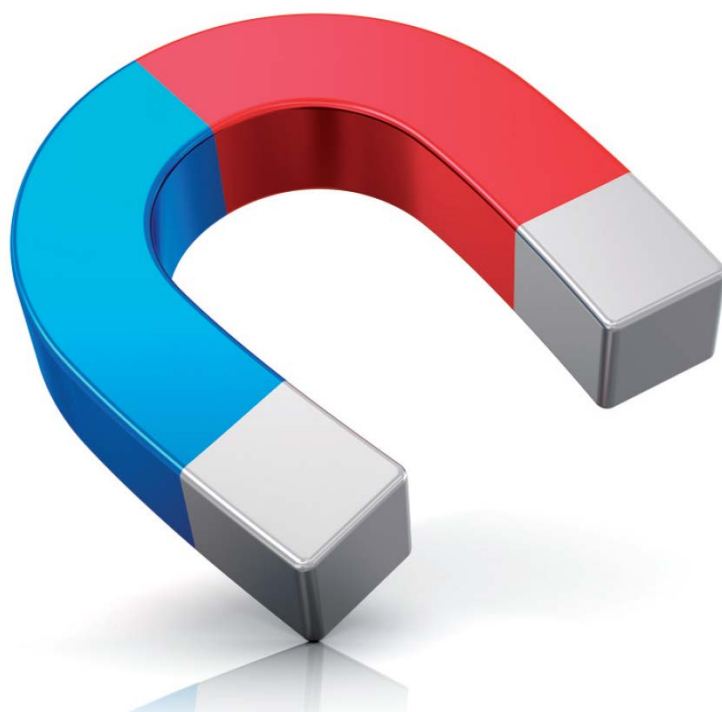




CATALOGUE

MAGNETIC SEPARATORS



CONTENTS

GRATE MAGNETIC SEPARATORS.....	4
Magnetic separator MS	5
Magnetic separator SMR.....	7
Magnetic separator SSM	9
Magnetic separator SSMT	11
Magnetic separator SSMV.....	13
SUSPENDED MAGNETIC SEPARATORS	15
Magnetic separator SMP	16
Magnetic separator SMPR	18
Magnetic separator SMPA	20
Magnetic sweeper SMD.....	22
DRUM MAGNETIC SEPARATORS.....	24
Magnetic separator SMB.....	25
Magnetic separator BSM.....	27
Magnetic separator BSMK	29
Magnetic separator SMV.....	31
Magnetic separator SSG.....	33
PLATE MAGNETIC SEPARATORS.....	35
Magnetic separator PM.....	36
Magnetic separator PSM.....	38
OTHER MAGNETIC SEPARATORS	40
Magnetic separator SMK.....	40
Magnetic separator MBR	42
Photos of our projects.....	44
Customers' feedbacks	47
Our certificates.....	48
Conclusion	49



Dear customers and partners!

PK AllMag Co., Ltd. would like to offer you magnetic separators of own production on beneficial terms and in the shortest time possible.

Over the years of fruitful work and development we have approved ourselves as a reliable and responsible supplier, aimed at long-term and mutually beneficial cooperation along with maximal satisfaction of the customer's requirements. We can offer competitive prices and high quality at our factory, situated in Ryazan region.

The major activity of our company is production and supply of magnetic systems made of permanent magnet alloys NdFeB, which is noted for its high magnetic properties and has been used in various industries for a long time.

Our engineers have developed unique magnetic separators which can essentially increase purification of the material from ferromagnetic inclusions. It has been proved by positive feedback from our customers who have already installed our magnetic separators in the production lines.

Permanent magnet equipment is noted by simple structure and convenient operation. Unlike complex electromagnetic systems, permanent magnets do not consume electric power and keep working in case of supply failure. Moreover, with magnetic loss below 1% per year their lifetime is almost unlimited.

Today we can offer our present and potential partners a wide choice of equipment for separating ferromagnetic inclusions from different material. With our products you can equip almost any production line.

In this catalogue you are welcome to get acquainted with the main types of separators produced by PK AllMag.

GRATE MAGNETIC SEPARATORS

Grate magnetic separators are widely used for extracting ferromagnetic inclusions from the flow of liquid, dry, and grained product of different size.

This type of separators is the most effective way of magnetic filtration for the above mentioned products since the material passes very close to the magnets in the grate.

During this process ferromagnetic inclusions stay on the surface of the grates, and purified product passes on to the next production line.



Grate magnetic separators

Suspended magnetic separators

Drum magnetic separators

Plate magnetic separators

Other magnetic systems

Magnetic separator MS



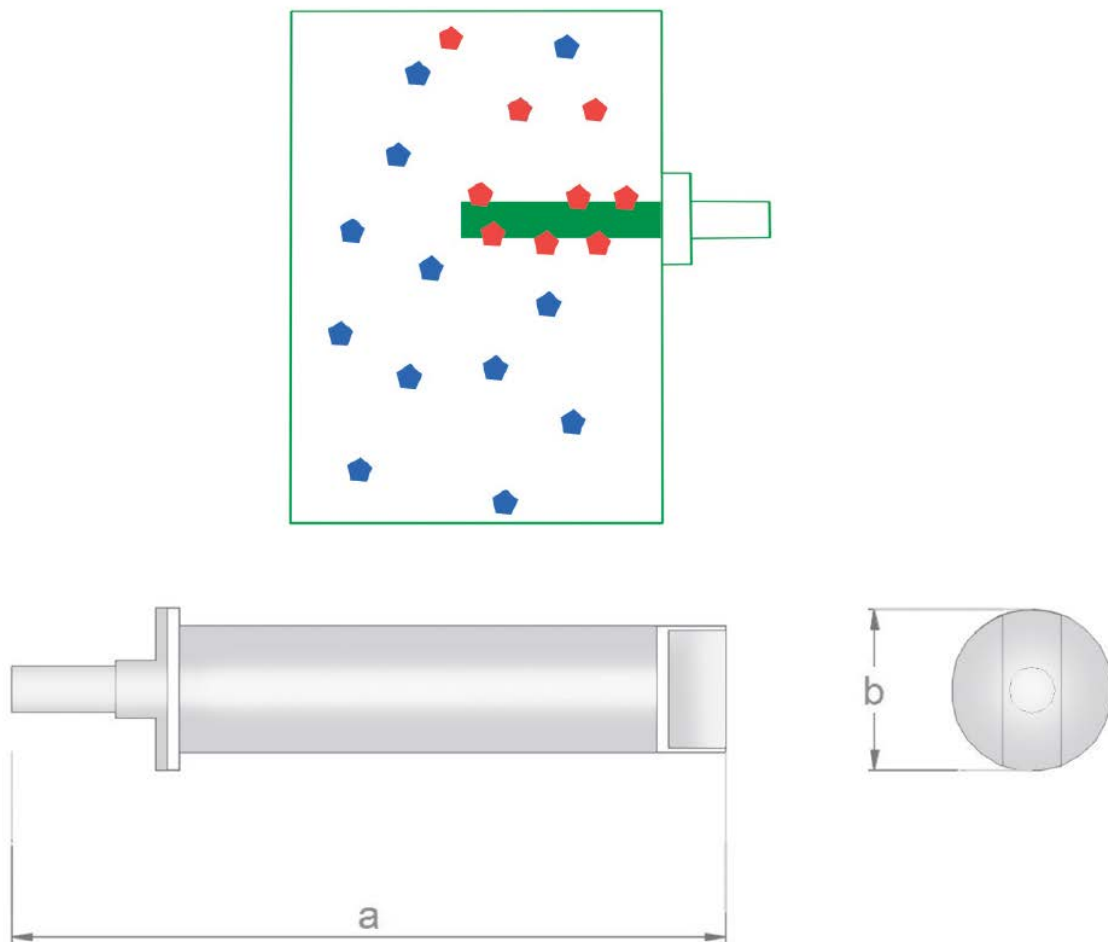
Product to separate	Bulk or liquid products
Installation point	Contacting point with the product
Cleaning	Manual, mechanical (by extracting the rod)

Grate magnetic separator MS is a rare earth magnetic rod.

MS are produced of various diameter, length, and mounting type according to the customer's requirements.

Stream of bulk or liquid product enters strong magnetic field near MS rod, where ferromagnetic inclusions stay on the surface of the rod, and non-ferrous separated material moves to the next production stage.

MS can be cleaned manually (with rags and brushes) or mechanically (by removing the rod).



Round	b, mm	a, mm	Cleaning
MS-18-100	18	100	Manual
MS-23-200A	23	200	Mechanical
MS-50-150	50	150	Manual

! Separator can be customized according to the individual requirements

Grate magnetic separators

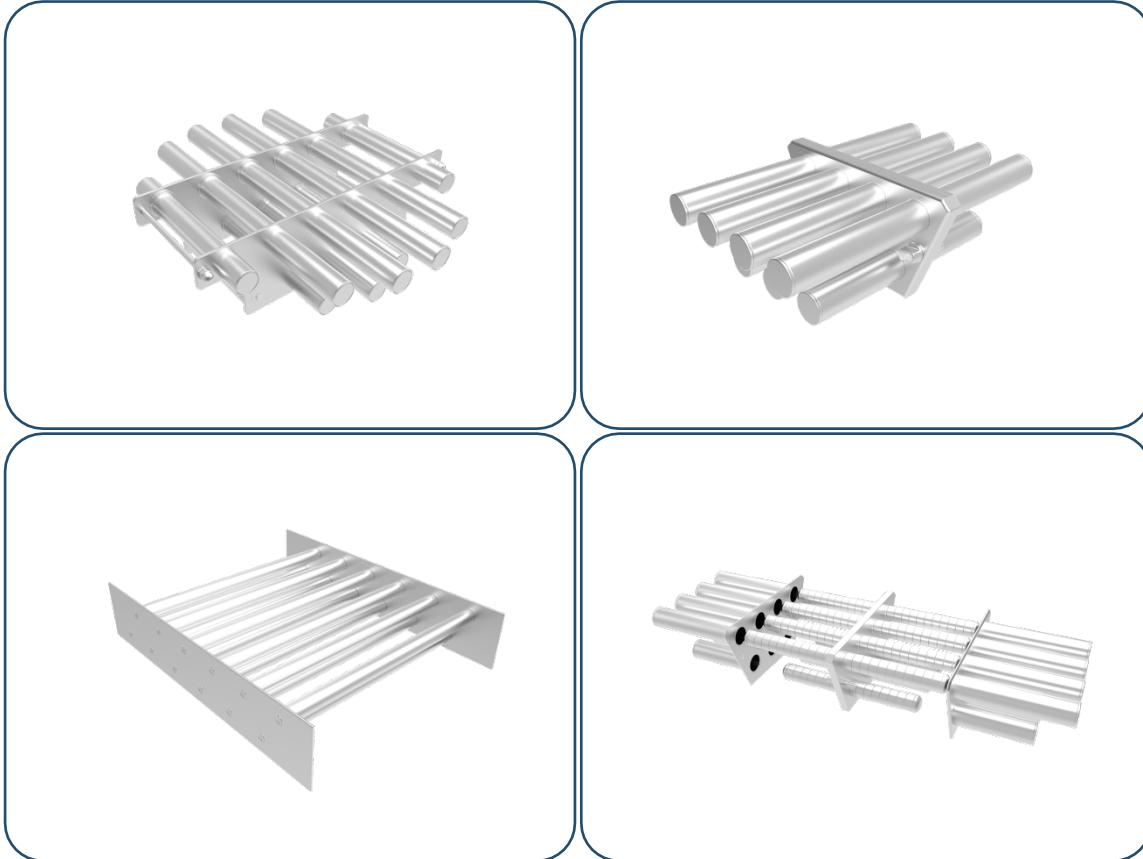
Suspended magnetic separators

Drum magnetic separators

Plate magnetic separators

Other magnetic systems

Magnetic separator SMR



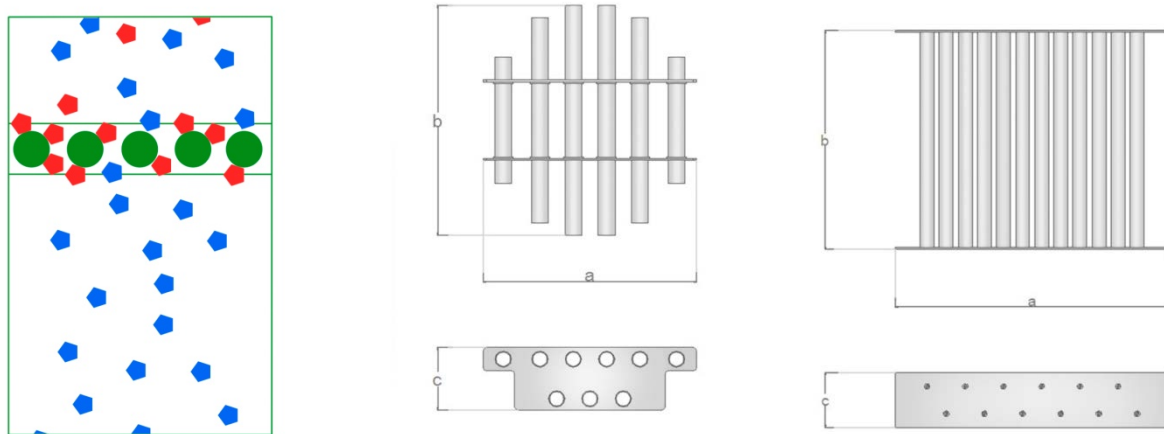
Product to separate	Bulk products: grain, feed, cereals, sugar, food ingredients, breakfast cereals, coffee, building mixtures, plastic granules
Installation	Pipeline, intake hopper
Cleaning	Manual, mechanical (extracting rods)

SMR is a system of magnetic rods, made of strong rare earth magnet alloys, assembled in one or several rows.

Multi-row arrangement ensures minimal transmission of ferromagnetic particles through the grate, due to homogeneous magnetic field on the flow area of the rods.

SMR can be produced in different shapes according to the installation site (round, rectangular, cone, and pyramid). The flow of bulk or liquid material going through magnetic grate enters the strong magnetic field, which attracts ferromagnetic particles and lets non-magnetic separated product go to the next production stage.

SMR can be cleaned manually (with brushes or rags) or mechanically (by extracting the rods).



Round magnetic grates

Round	Rows	c, mm	d, mm	N, pcs	Cleaning
SMR-1-100-18-3	1	100	18	3	Manual
SMR-1-200-25-4	1	200	25	4	Manual
SMR-2-300-23-11	2	300	23	11	Manual
SMR-1-400-25-8A	1	400	25	8	Mechanical

Rectangular magnetic grates

Rectangular	Rows	a, mm	b, mm	d, mm	N, pcs	Cleaning
SMR-1-100x100-18-3	1	100	100	18	3	Manual
SMR-2-200x200-23-7A	2	200	200	23	7	Mechanical
SMR-1-300x400-18-6	1	300	400	18	6	Manual
SMR-2-500x500-23-19	2	500	500	23	19	Manual

! Separator can be customized according to the individual requirements

Grate magnetic separators

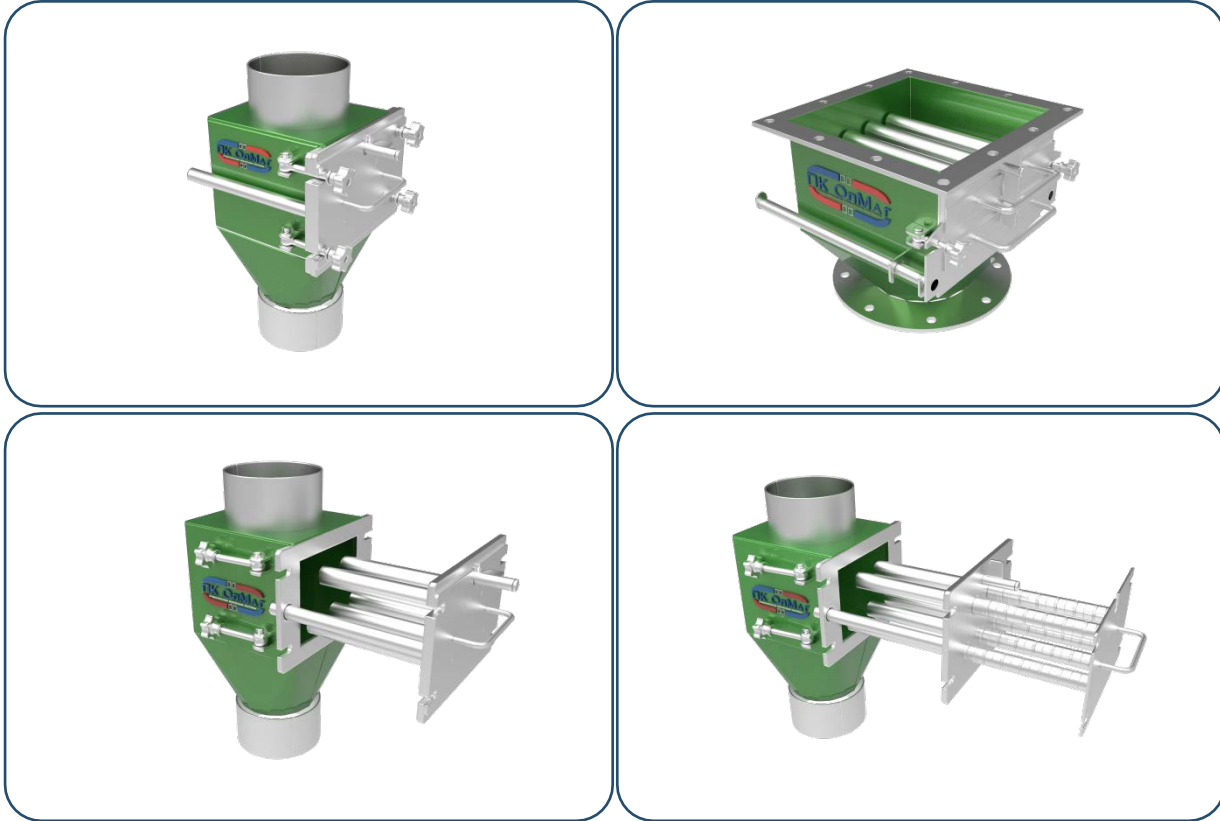
Suspended magnetic separators

Drum magnetic separators

Plate magnetic separators

Other magnetic systems

Rod magnetic separator SSM

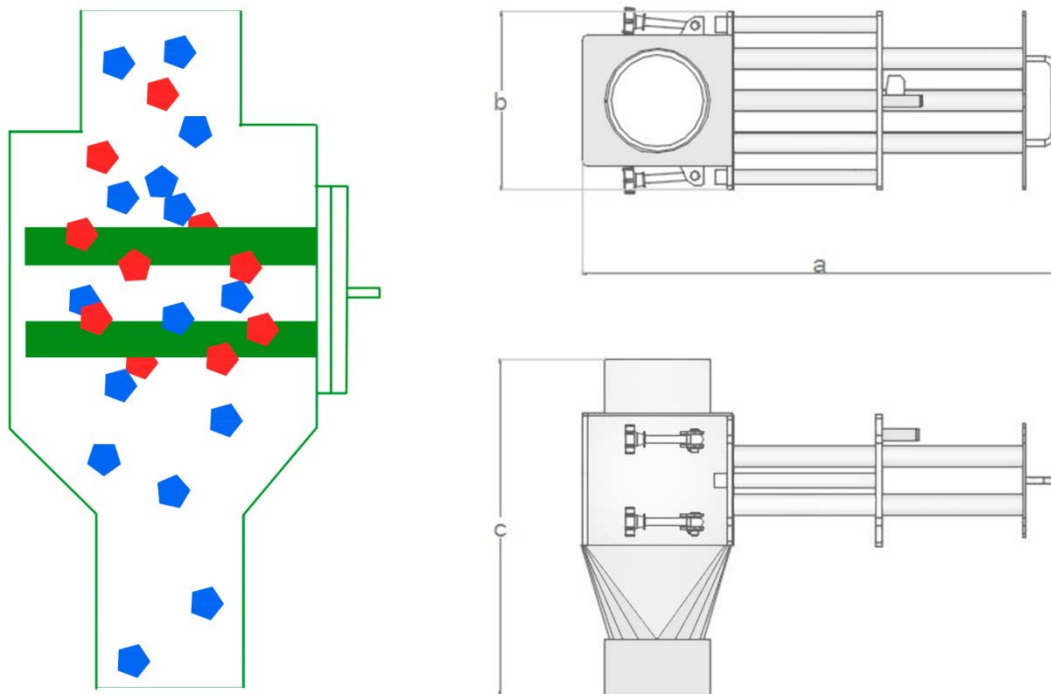


Products to separate	Bulk products: grain, feed, cereals, sugar, food ingredients, breakfast cereals, coffee, building mixtures, plastic granules
Installation	Pipeline
Cleaning	Manual, mechanical (extracting rods), automatic (pneumatic drive)

SSM is a system of magnetic rods made of strong rare earth magnet alloy in a housing mounted in the gravity pipeline. At the customer's request housing can be leak proof, the inlet and outlet can be produced with connection flanges.

The flow of friable or liquid material passing through magnetic rods gets into strong magnetic field, where the rods attract ferromagnetic particles and non-magnetic separated product goes to the next production stage.

SSM can be cleaned manually (with brushes or rags), mechanically (by removing the rods), and automatically (pneumatic driver).



Model	Rows	Size, mm	Inlet size, mm	Rod diameter, mm	N, pcs	Cleaning	Capacity m ³ /h
SSM-2-100-25-5A	2	270x220x320	D100	25	5	Mechanical	25
SSM-1-200-18-4	1	370x320x260	D200	18	4	Manual	70
SSM-2-300x300-23-11A	2	450x400x240	300x300	23	11	Mechanical	150
SSM-1-400x200-25-8	1	350x500x180	400x200	25	8	Manual	125
SSMA-500x500x25-18A	2	1900x600x500	500x500	25	18	Automatic	300

Separator can be customized according to the individual requirements

Grate magnetic separators

Suspended magnetic separators

Drum magnetic separators

Plate magnetic separators

Other magnetic systems

Pipeline magnetic separators SSMT



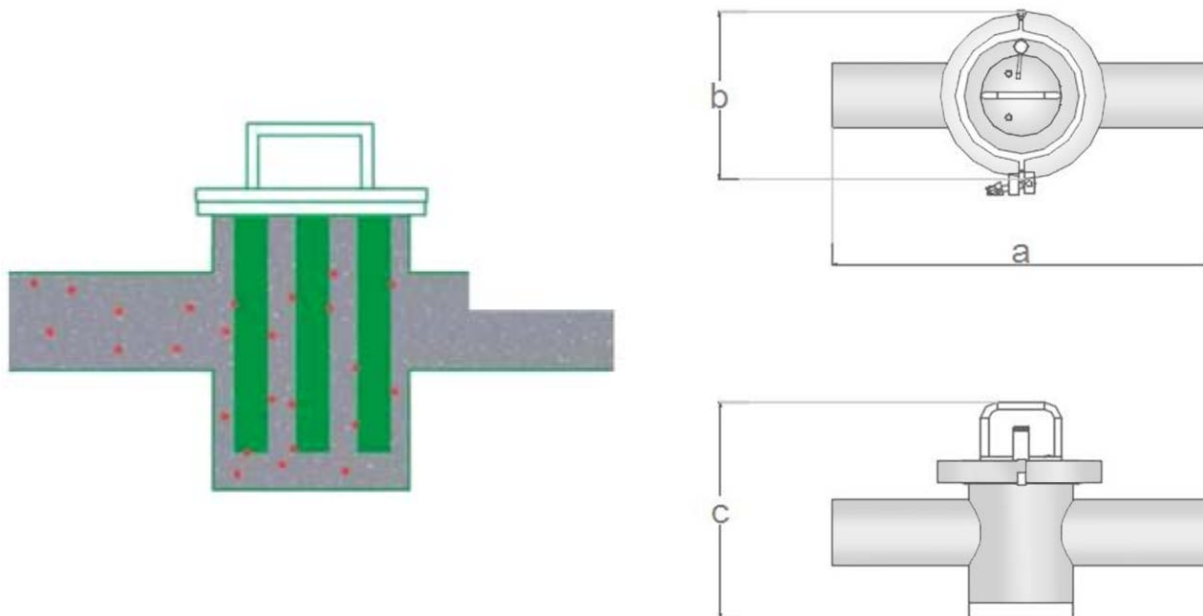
Products to separate	Liquid products: mayonnaise, oils, glaze, cream, chocolate, suspensions
Installation	Pipeline
Cleaning	Manual, mechanical (extracting rods)

SSMT is a system made of strong rare earth magnet alloy installed in the pipeline where liquid material passes under pressure or natural flow.

The flow of liquid product going through magnetic grate gets into strong magnetic field, which makes the rods attract ferromagnetic particles and lets non-magnetic separated product go to the next production stage.

SSMT can be cleaned manually (with rags or brushed) or mechanically (by removing the rods).

Optionally we can install water or electric heating, net for mechanical cleaning, and various types of fixing (e.g., 'dairy coupling' DIN 11851).



Model	Inlet size, mm	Rod Dia, mm	QTY of rods	Size, mm	Capacity, m ³ /h
SSMT-25-25-1	D25	25	1	150x80x80	1,5
SSMT-40-25-3	D40	25	3	300x150x120	5
SSMT-50-22-3	D50	22	3	300x150x120	7
SSMT-76-25-4	D76	25	4	400x200x180	20
SSMT -100-26-4	D100	25	5	400x250x200	35

! Separator can be customized according to the individual requirements

Grate magnetic separators

Suspended magnetic separators

Drum magnetic separators

Plate magnetic separators

Other magnetic systems

Magnetic separator SSMV

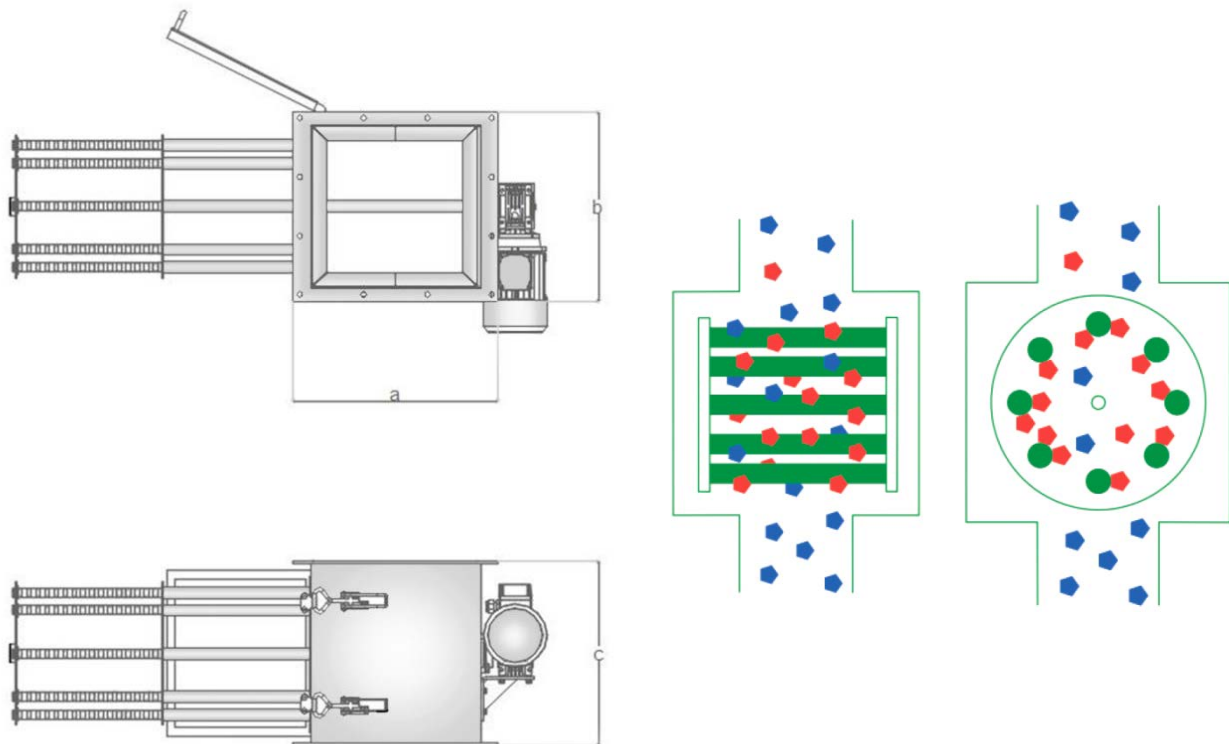


Products to separate	Powdered dry and viscous material
Installation	Pipeline
Cleaning	Manual, mechanical (extracting rods), automatic (pneumatic drive)

SSMV is a rotating magnetic system with rare earth magnets in a 'squirrel cage' drum.

The flow of dry powdered material prone to lumping passes through the separator and enter the powerful magnetic field, where ferromagnetic inclusions stay on the rods, whereas non-magnetic separated product moves to the next production stage. Rotating system of rods breaks stuck lumps of material.

SSMV can be cleaned manually (by brushes or rags) or mechanically (by removing the rods).



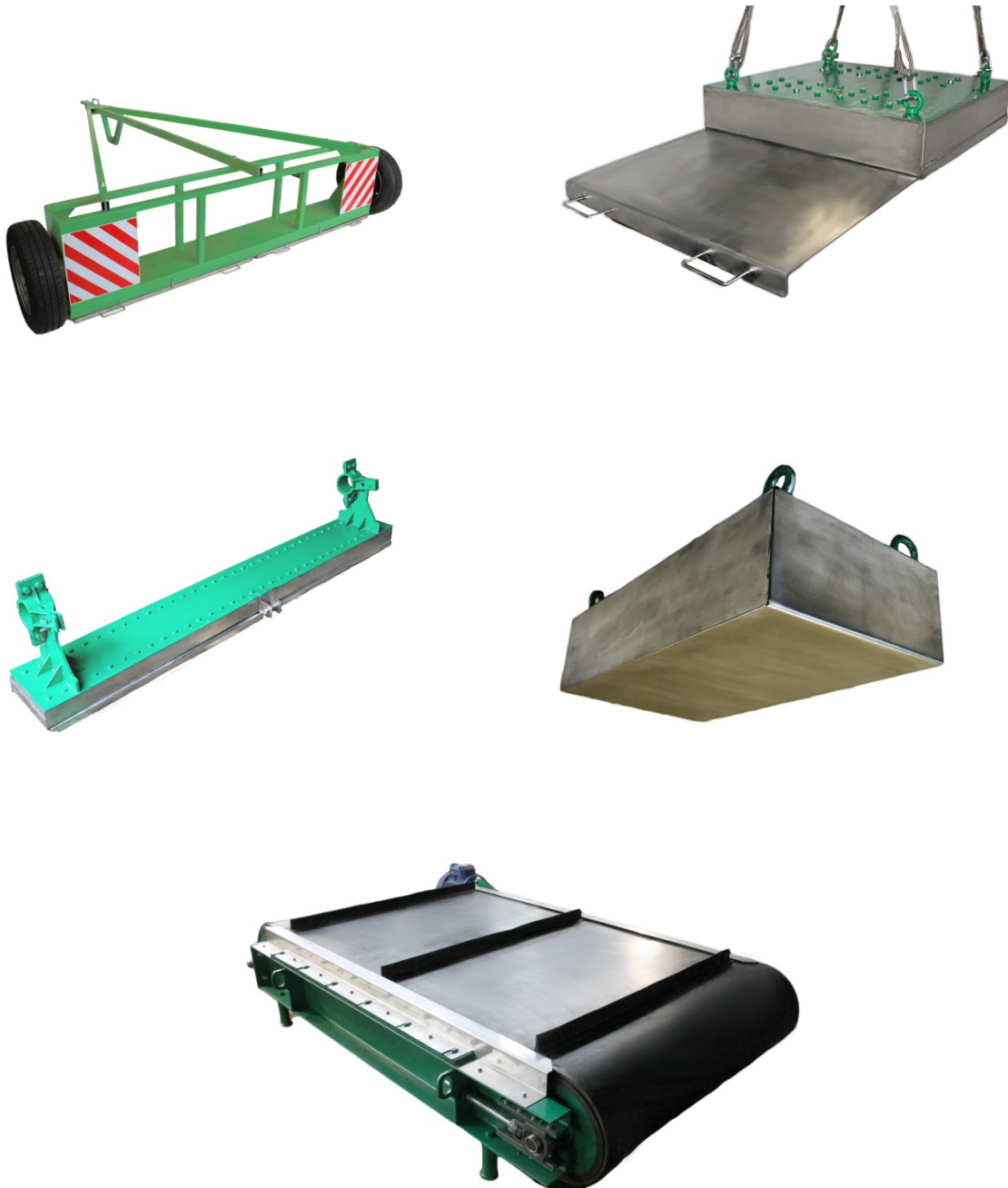
Model	Inlet size, mm	Rod Dia, mm	QTY of rods	Size, mm	Capacity, m3/h
SSMV-335x195-25-8	335x195	25	8	490x460x460	100
SSMV-300-25-12	D300	25	12	500x500x450	80
SSMV-340x340-25-8	340x340	25	8	600x500x410	200

Separator can be customized according to the individual requirements

SUSPENDED MAGNETIC SEPARATORS

Suspended magnetic separators are widely used for separation of undesirable ferromagnetic inclusions from the stream of dry and grained product of different size moving on the belt conveyor or another transport system.

Suspended separators are installed at a particular height over the conveyor transporting the product.



Grate magnetic separators

Suspended magnetic separators

Drum magnetic separators

Plate magnetic separators

Other magnetic systems

Magnetic separator SMP

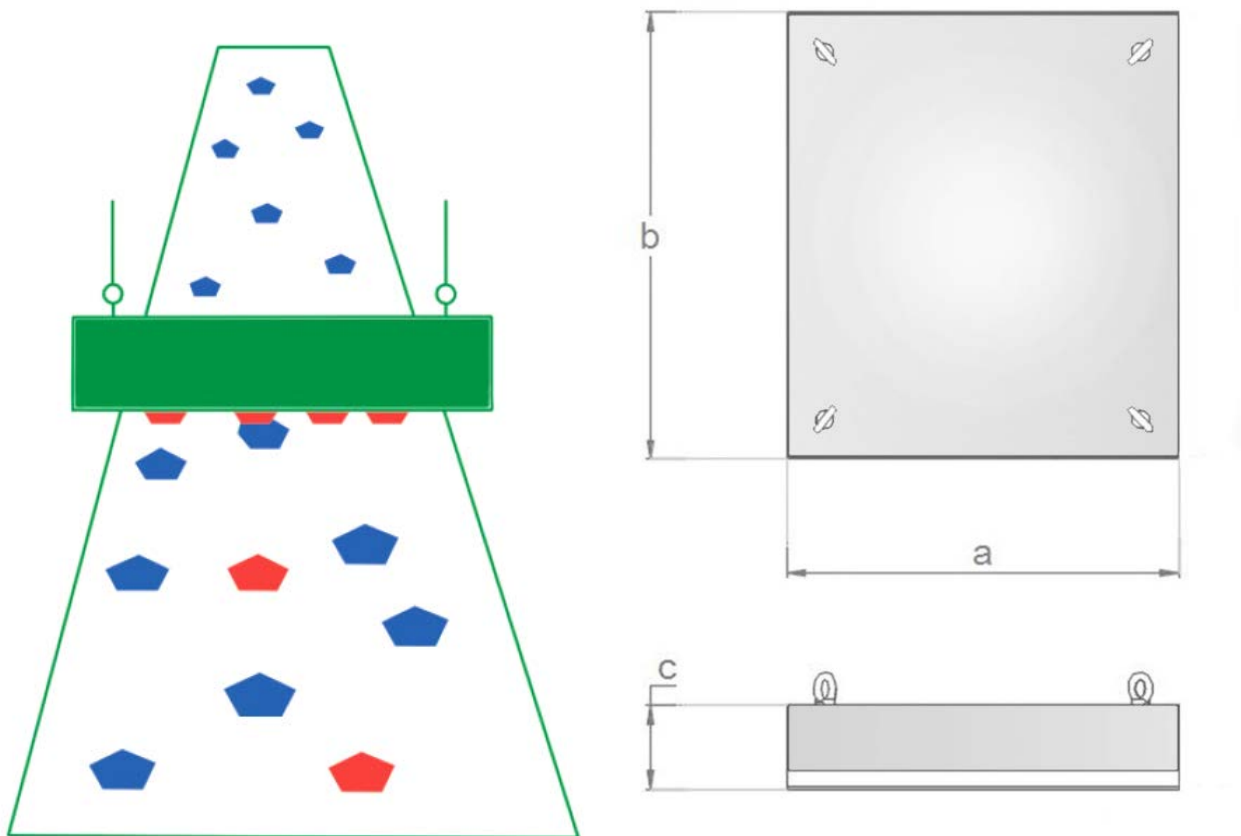


Products to separate	Ore, crushed stone, limestone, coal, woodchips, crushed rubber and plastic, sugar beet, solid waste
Installation	Over the conveyor
Cleaning	Manual

SMP is a magnetic plate with strong ferrite or rare earth magnets. On the upper part there are eye bolts for suspension.

Operated material on the conveyor enters the magnetic field of SMP, which attracts ferromagnetic contaminants and allows non-ferrous product to move to the next stage of production.

At the end of the shift SMP is cleaned manually with brushes and rags.



Model	Belt width, mm	Catch depth, mm	Size, mm	Weight, kg	Magnet
SMP-300-150	300	150	400x300x150	50	NdFeB
SMP-400-150	400	150	550x400x100	100	NdFeB
SMP-500-200B	500	200	950x750x260	400	Ferrite
SMP-800-300B	800	300	1100x1100x300	850	Ferrite

Separator can be customized according to the individual requirements

Grate magnetic separators

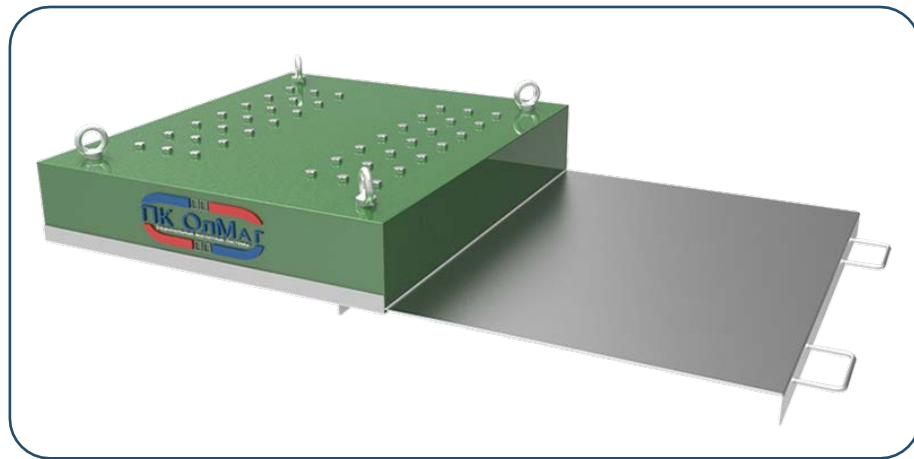
Suspended magnetic separators

Drum magnetic separators

Plate magnetic separators

Other magnetic systems

Magnetic separator SMPR

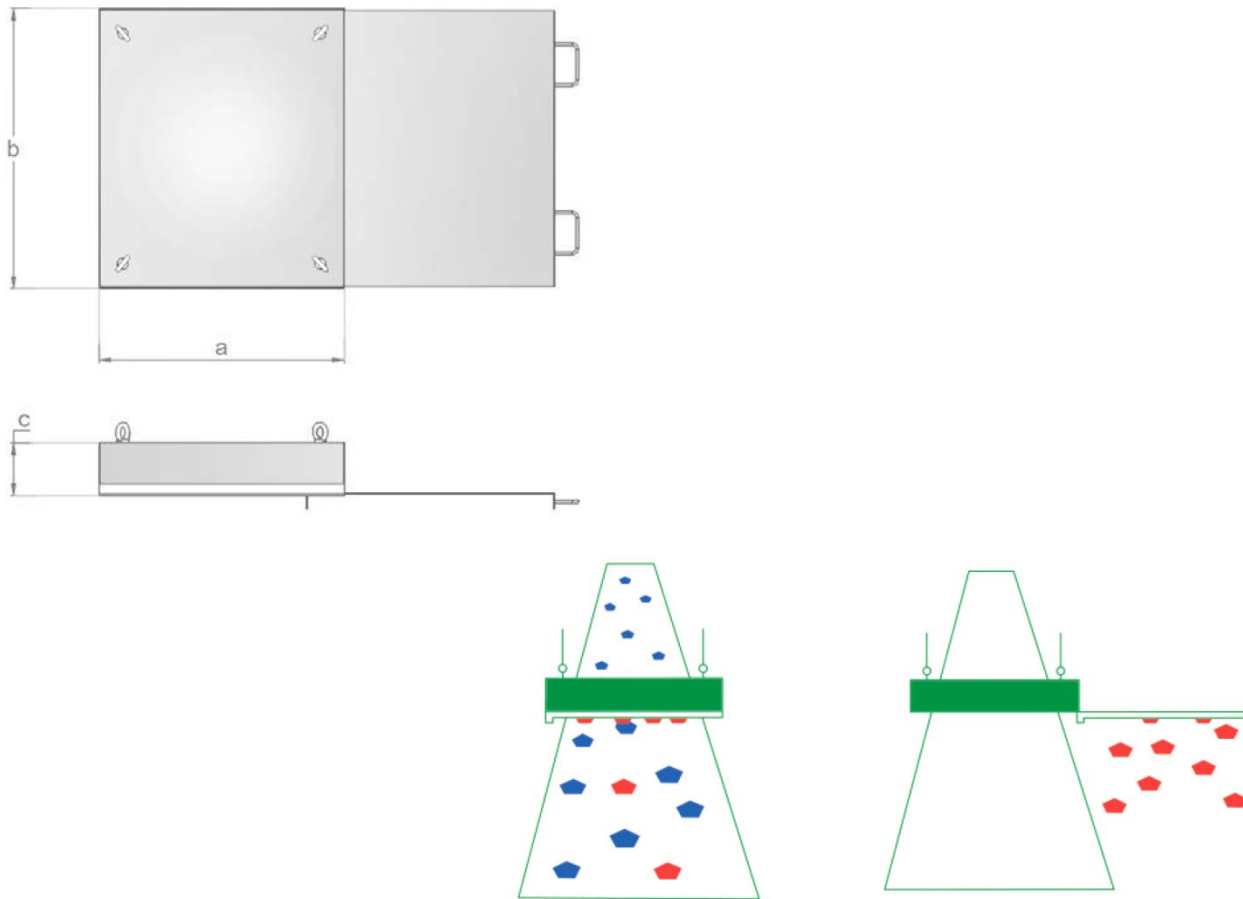


Products to separate	Ore, crushed stone, limestone, coal, chips, crushed rubber and plastic, sugar beet, solid waste
Installation	Over the conveyor
Cleaning	Mechanical (sliding sheet)

SMPR is a magnetic system with ferrite or rare earth magnets in a rectangular case. On the upper part there are eyebolts for suspension. On the lower part there is a sliding sheet for mechanical cleaning.

Processed material moving on the conveyor enters the powerful magnetic field of SMPR, where ferromagnetic particles get attracted to the surface of the plate, whereas non-magnetic material goes on to the next production stage.

At the end of each shift the separator is cleaned manually by sliding the sheet – ferromagnetic contaminants leave magnetic field and fall down into a special container.



Model	Conveyor width, mm	Catch depth, mm	Size, mm	Weight, kg	Magnet
SMPR-300-150	300	150	400x300x150	50	NdFeB
SMPR -400-150	400	150	550x400x100	100	NdFeB
SMPR -500-200B	500	200	950x750x260	400	Ferrite
SMPR -800-300B	800	300	1100x1100x300	850	Ferrite



Separator can be customized according to the individual requirements

Grate magnetic separators

Suspended magnetic separators

Drum magnetic separators

Plate magnetic separators

Other magnetic systems

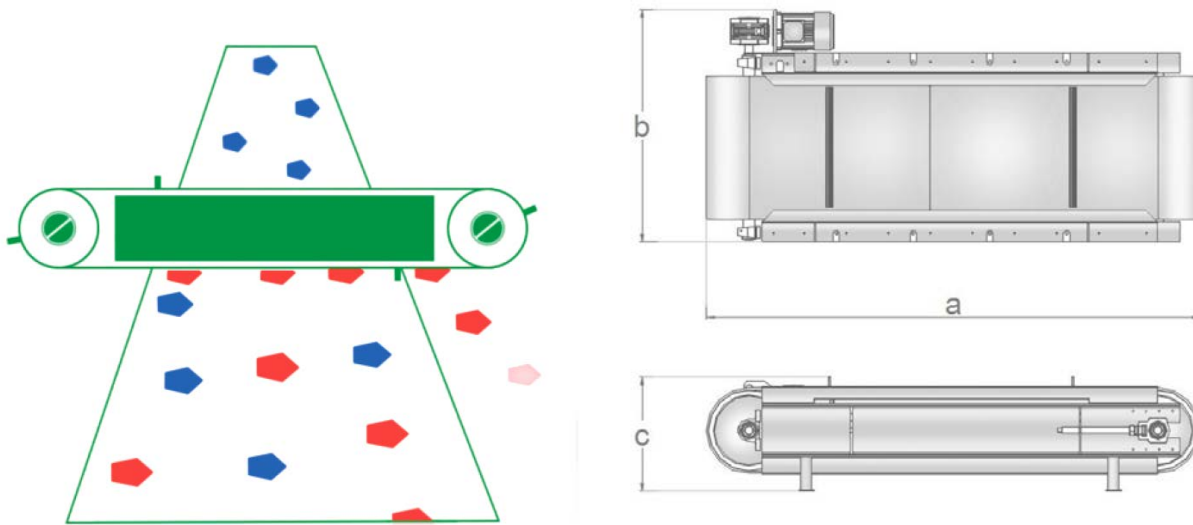
Suspended magnetic separator with self-cleaning SMPA



Products to separate	Ore, crushed stone, limestone, coal, woodchips, crushed rubber and plastic, sugar beet, solid waste
Installation	Over the conveyor
Cleaning	Automatic (conveyor belt with blades)

SMPA is a self-cleaning rare earth magnet system with a belt mounted over the conveyor. Magnetic system inside the SMPA consists of ferrite or NdFeB magnets.

Processed material, moving on the conveyor belt, enters the powerful magnetic field of SMPA, where ferromagnetic inclusions get attracted to the surface of the circulating separator belt, and rubber cleats remove ferrous particles from the magnetic field and let them fall into a special container. Non-magnetic separated material passes on the conveyor and goes to the next operating stage.



Model	Belt width, mm	Catch depth, mm	Size, mm	Weight, kg	Magnet
SMPA-800-50	800	50	1000x350x200	200	NdFeB
SMPA-1100-300	1100	300	1500x1200x300	700	NdFeB
SMPA-1200-400B	1200	400	2500x1800x430	2600	Ferrite
SMPA-1400-500B	1400	500	2550x2100x500	3500	Ferrite

Separator can be customized according to the individual requirements

Grate magnetic separators

Suspended magnetic separators

Drum magnetic separators

Plate magnetic separators

Other magnetic systems

MAGNETIC SWEEPER SMD

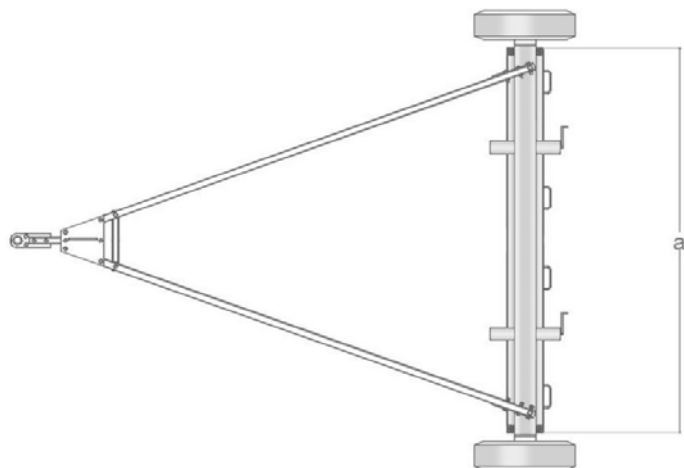
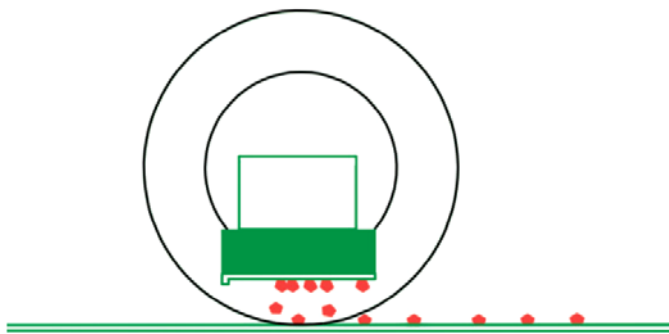


Products to separate	Scrap from wire brush, ferromagnetic particles on roads
Installation	Car chassis, tow bar, car bumper
Cleaning	Mechanical (sliding sheet)

Magnetic sweeper SMD is a magnetic system made of powerful ferrite or NdFeB magnets. On the working surface there is non-magnetic flap or slide tray for quick and easy cleaning. SMD can be mounted on the rear bumper or chassis fixed on the tow bar. Magnetic sweeper SMD helps to clean territory from nuts, bolts, metal shavings, scraps, and other magnetic particles and metal rubbish, thus providing safe use of the road. In operating position SMD moves at a height 50-100 mm over the surface at a speed 5-15 km/h. Ferromagnetic rubbish enters strong magnetic field and gets attracted to the sweeper's surface.

SMD is cleaned mechanically, with a flap or slide tray, where ferromagnetic particles leave magnetic field and fall down.

SMD can be classified as a suspended magnetic separator since its movement over the surface resembles conveyor belt.



Model	Catch width, mm	Catch depth, mm	Size, mm	Speed, m/sec	Magnet
SMD-2200-60B	2200	50	2200x300x150	Up to 5	Ferrite
SMD-2400-100	2400	100	2400x250x250	Up to 15	NdFeB
SMD-3000-100	3000	100	3000x250x250	Up to 15	NdFeB

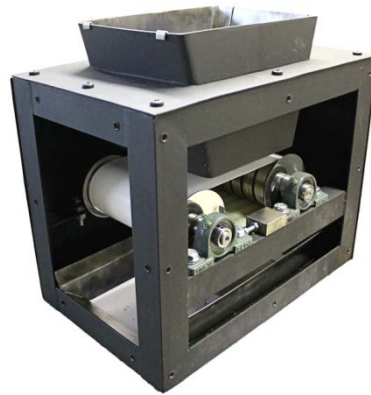


Separator can be customized according to the individual requirements

DRUM MAGNETIC SEPARATORS

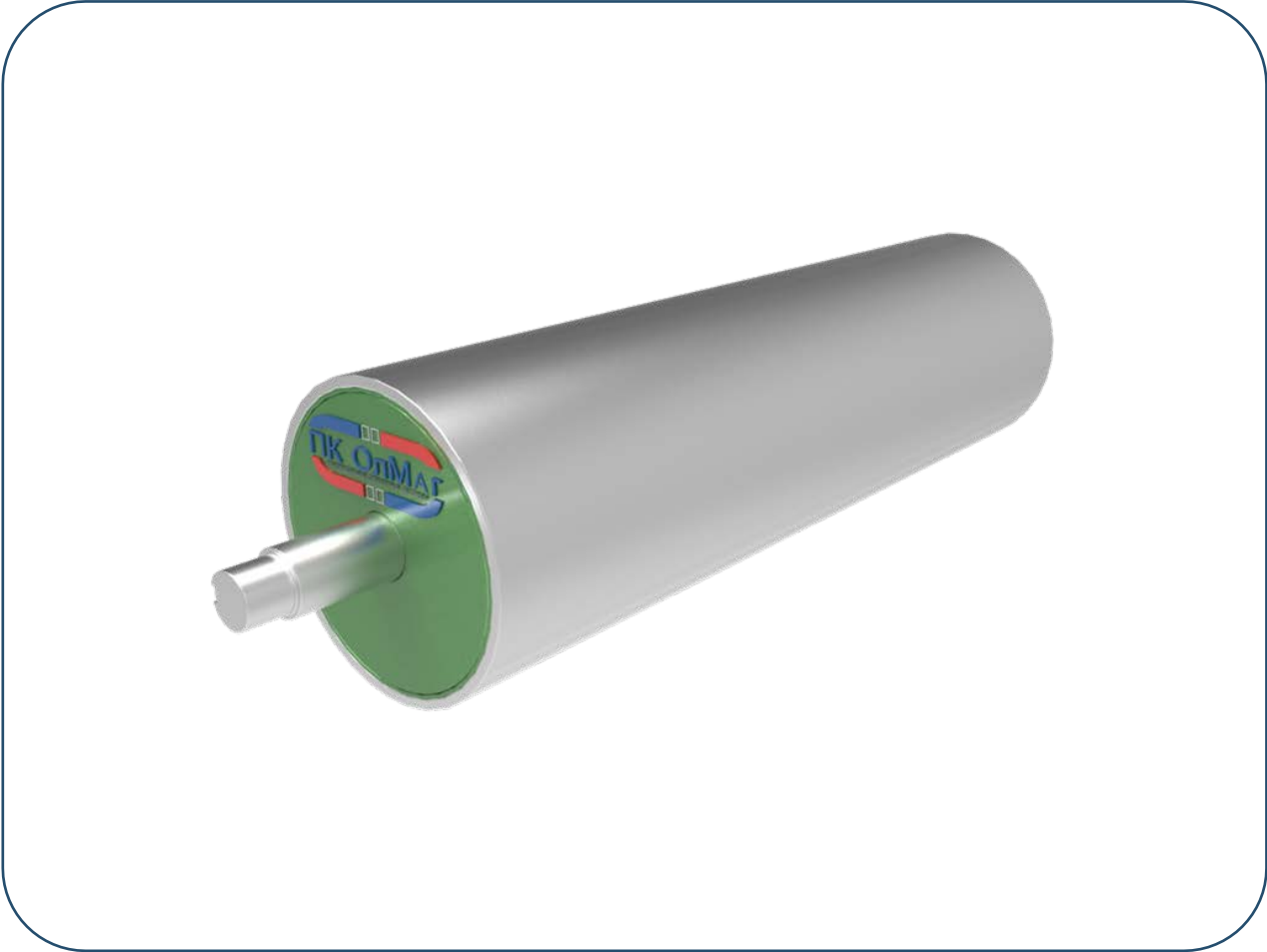
Drum magnetic separators are used for separation of ferromagnetic inclusions from the stream of dry and grained product of different size moving on the belt conveyor or at the overturning point.

Separated product moving on the drum surface enters the powerful magnetic field of the magnetic system. Undesirable ferromagnetic particles get attracted by the magnetic field and move on it until leaving the magnetic field. Non-magnetic separated products move on tangentially to the drum and go to the next production stage.



Separator can be customized according to the individual requirements.

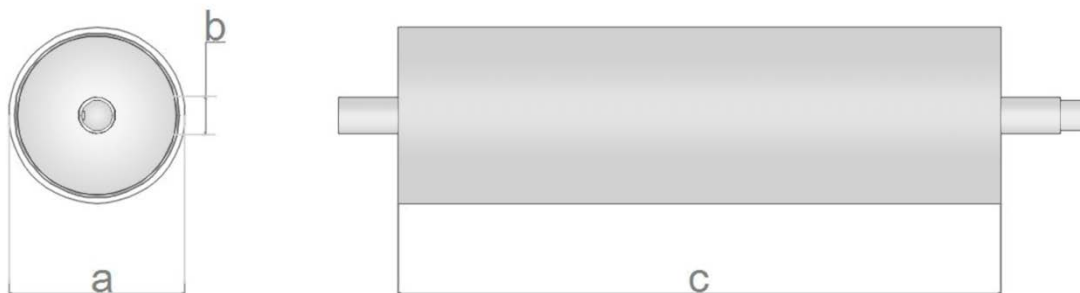
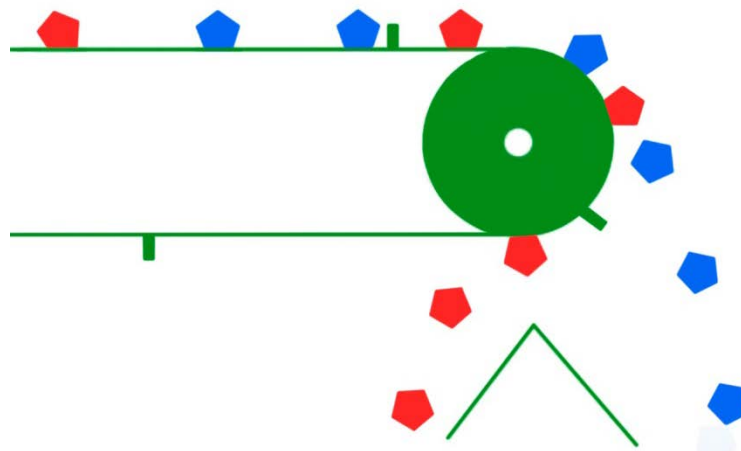
Pulley magnetic separator SMB



Product to separate	Ore, crushed stone, limestone, coal, woodchips, crushed rubber and plastic, sugar beet, solid waste
Installation	Substituting drive drum at the end of the conveyor belt
Cleaning	Automatically (conveyor belt with blades)

SMB is a drum with ferrite or rare earth NdFeB magnet system inside, which moves together with the drum.

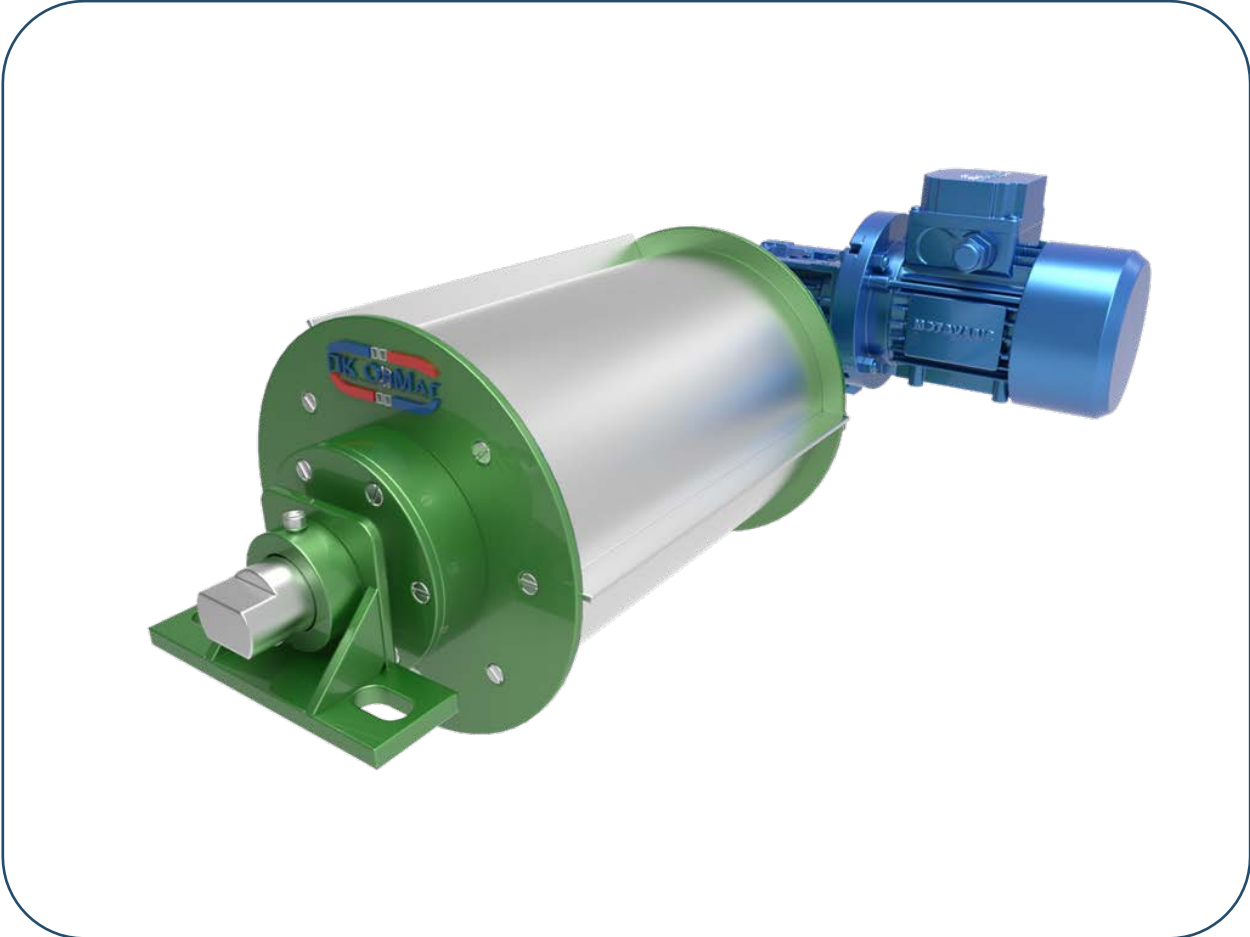
As processed material is conveyed along the drum, ferromagnetic particles enter the magnetic field on the blades and fall into a special container, when magnetic field disappears. Non-magnetic separated product goes to the next production stage.



Model	Drum diameter, mm	Drum length, mm	Size, mm	Magnet
SMB-114-320	114	320	D114x500	NdFeB
SMB-325-400	325	400	D325x700	NdFeB
SMB-600-1200	600	1200	D600x1800	NdFeB
SMB-1000-1400B	1000	1400	D1000x2500	Ferrite

! Separator can be customized according to the individual requirements.

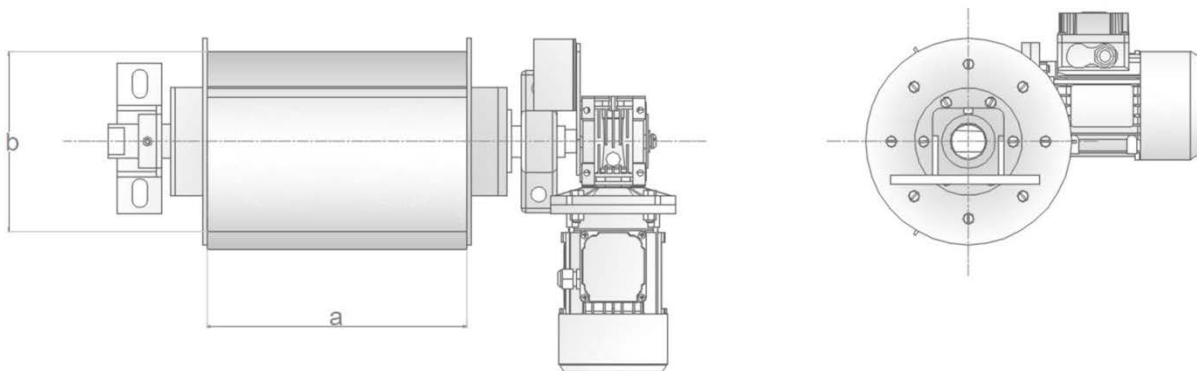
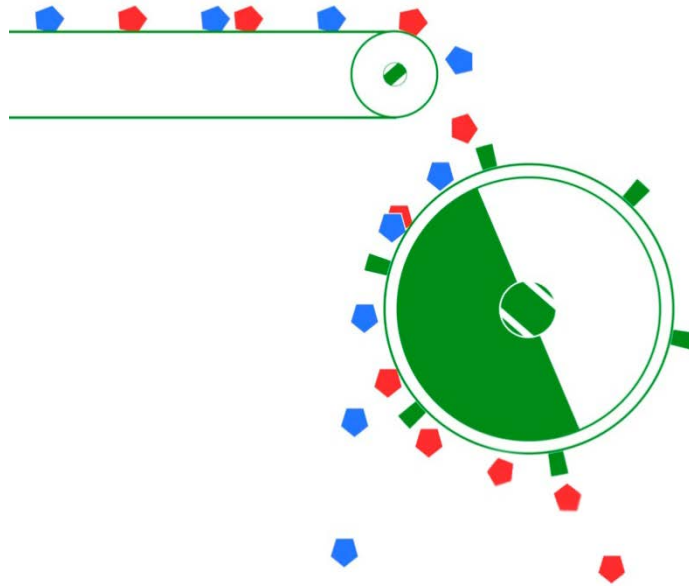
Magnetic separator BSM



Product to separate	Ore, crushed stone, limestone, coal, woodchips, crushed rubber and plastic, sugar beet, solid waste, etc.
Installation	Overturning point of the product
Cleaning	Automatic (drum shell with blades)

BSM consists of a fixed magnetic part with strong rare earth arc magnets and a moving external shell with blades.

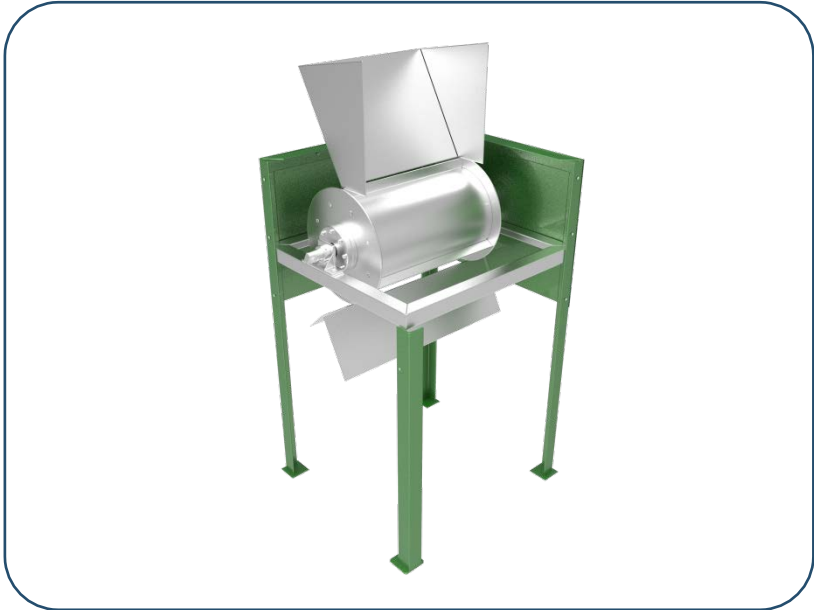
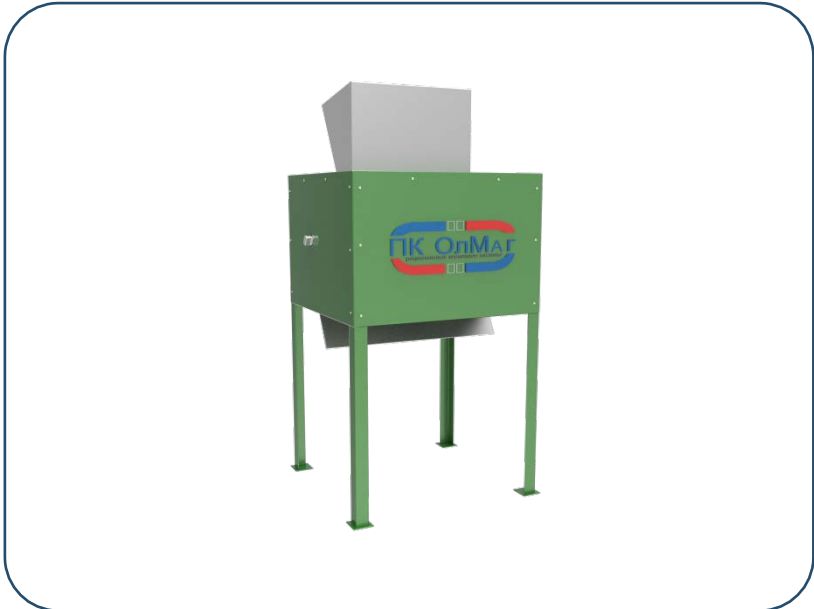
As material is fed on the surface of the drum, ferromagnetic inclusions stay at the blades in the magnetic field and fall into a special container, when magnetic field disappears. Non-magnetic purified material goes to the next production stage.



Model	Drum diameter, mm	Drum length, mm	Size, mm	Weight, kg
BSM-200-300	200	300	635x370x260	40
BSM-324-400	324	400	744x460x260	150
BSM-400-1000	400	1000	1500x450x450	300
BSM-400-1500	400	1500	2160x2020x590	1300

Separator can be customized according to the individual requirements.

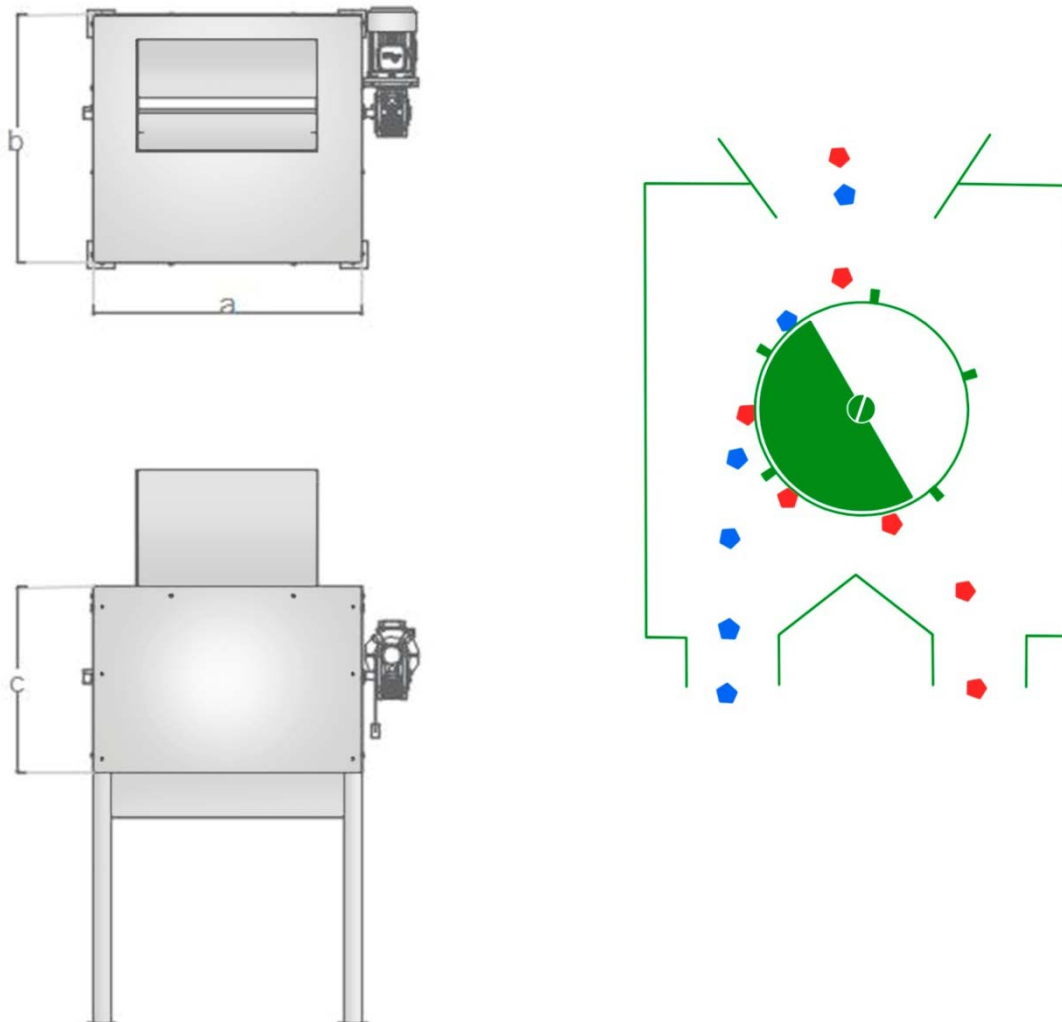
Magnetic separator BSMK



Products to separate	Bulk products (fraction >5 mm: coil, woodships, crushed rubber and plastic)
Installation	Overturning point of the product
Cleaning	Automatic (drum shell with blades)

BSMK is a drum in rectangular housing. It consists of a fixed magnetic part with strong rare earth arc magnets and a moving external shell with blades. Material is fed through the inlet.

When material gets on the surface of the drum, ferromagnetic inclusions stay at the blades in the magnetic field and then fall into a special pipe when magnetic field disappears. Non-ferrous separated material moves to another pipe. At the outlet we get clean material and separately – ferromagnetic inclusions.



Model	Size, mm	Drum size, mm	Capacity, m ³ /h
BSMK-200-200	500x500x500	D200x200	10
BSMK -200-300	700x500x500	D200x300	15
BSMK -324-400	1000x600x500	D324x400	50

Separator can be customized according to the individual requirements.

- Grate magnetic separators
- Suspended magnetic separators
- Drum magnetic separators**
- Plate magnetic separators
- Other magnetic systems

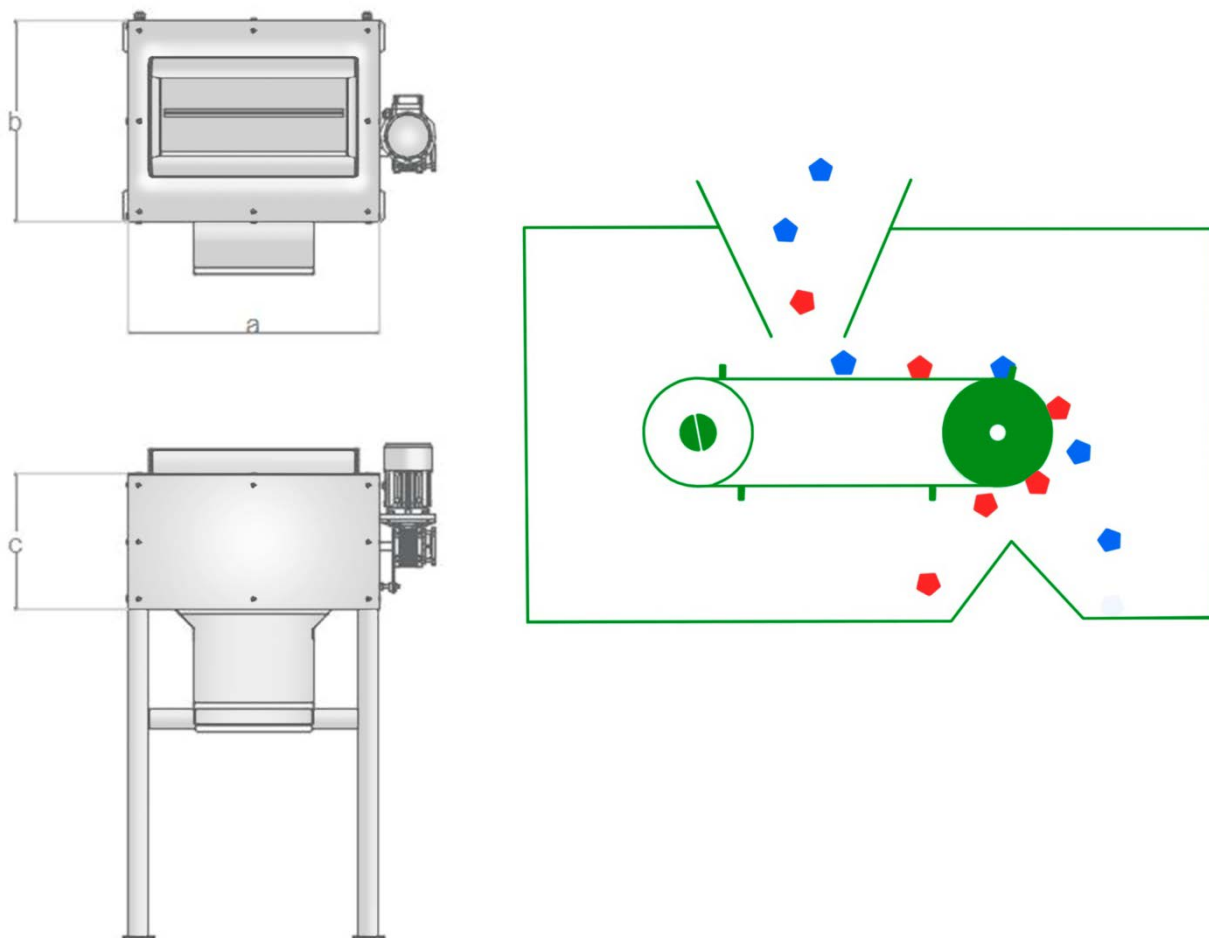
Magnetic separator SMV



Product to separate	Bulk product with fraction ≤ 5 mm: crushed rubber and plastic, sugar, crushed stone, low-magnetic inclusions
Installation	Overturning point of product
Cleaning	Automatic (conveyor belt with cleats)

SMV consists of a conveyor with a powerful magnetic shaft in a rectangular case. Material is fed through the intake hopper and then conveyed to the high-inductive magnetic shaft. Ferromagnetic contaminants get attracted by the magnetic field, go under the conveyor until it disappears and then fall into a special pipe. Non-magnetic separated material goes out of the other pipe. Thus we receive separately clean product and ferromagnetic inclusions.

High inductive magnetic system with driveshaft and thin conveyor belt (e.g. kevlar) ensure maximum efficiency of magnetic separator. Low magnetic contaminants, like scale, can be extracted by this separator.



Model	Size, mm	Belt width, mm	Drive, kW	Induction Br, mT	Capacity, m ³ /h
SMV-1-200-09	600x520x450	200	0,12	900	1,7
SMV-1-500-15	700x550x500	500	0,12	1500	4
SMV-1-700-15	900x650x500	700	0,18	1500	6

Separator can be customized according to the individual requirements.

Magnetic separator SSG

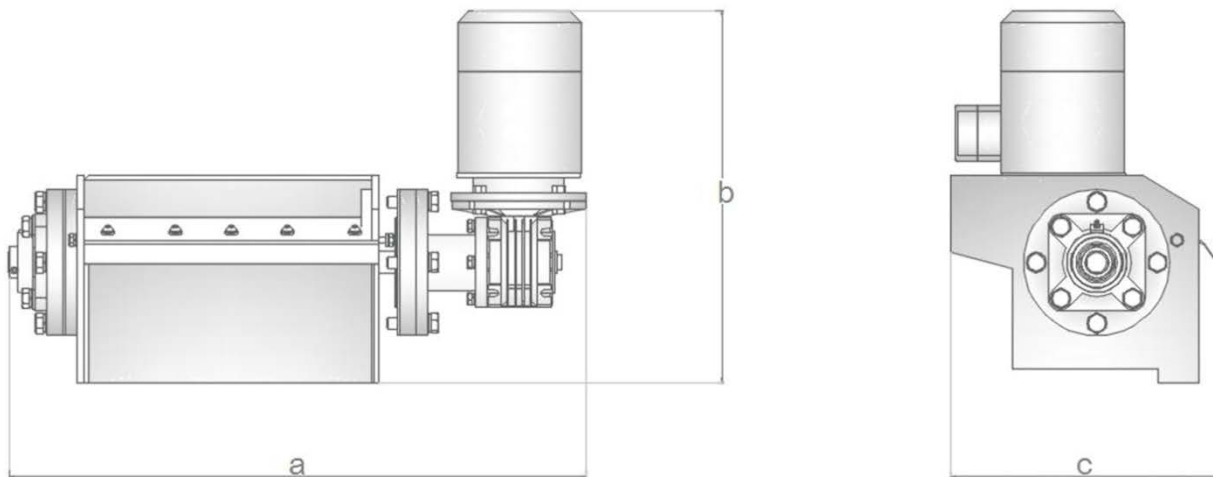
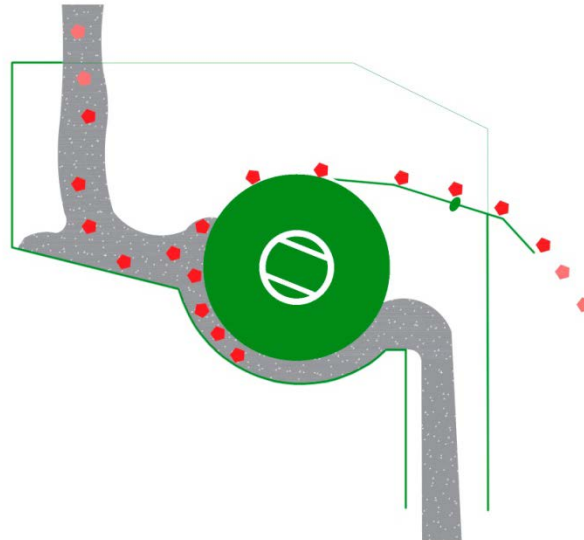


Product to separate	Coolant-cutting fluid and other liquid
Installation	Fluid supply hose in mechanical processing machines
Cleaning	Automatic (by scraper)

SSG is a drum magnetic system made of ferrite or rare earth NdFeB magnets in a case with a scraper for cleaning.

Processed coolant fluid gets into the separator through the upper collector and passes between the housing and the magnetic drum. Ferromagnetic particles are separated and removed with a scraper. After that the coolant passes to the sediment tank, where non-magnetic inclusions settle.

When the cutting fluid reaches the edge of the sediment tank, refined liquid goes to the outlet for further processing.



Model	Nominal consumption, l/min	Driver position	Size, mm
SSG-50L	50	Left	390x330x240
SSG-100P	100	Right	515x330x240
SSG-150L	150	Left	560x330x240
SSG-200P	200	Right	680x330x240



Separator can be customized according to the individual requirements.

Plate magnetic separators

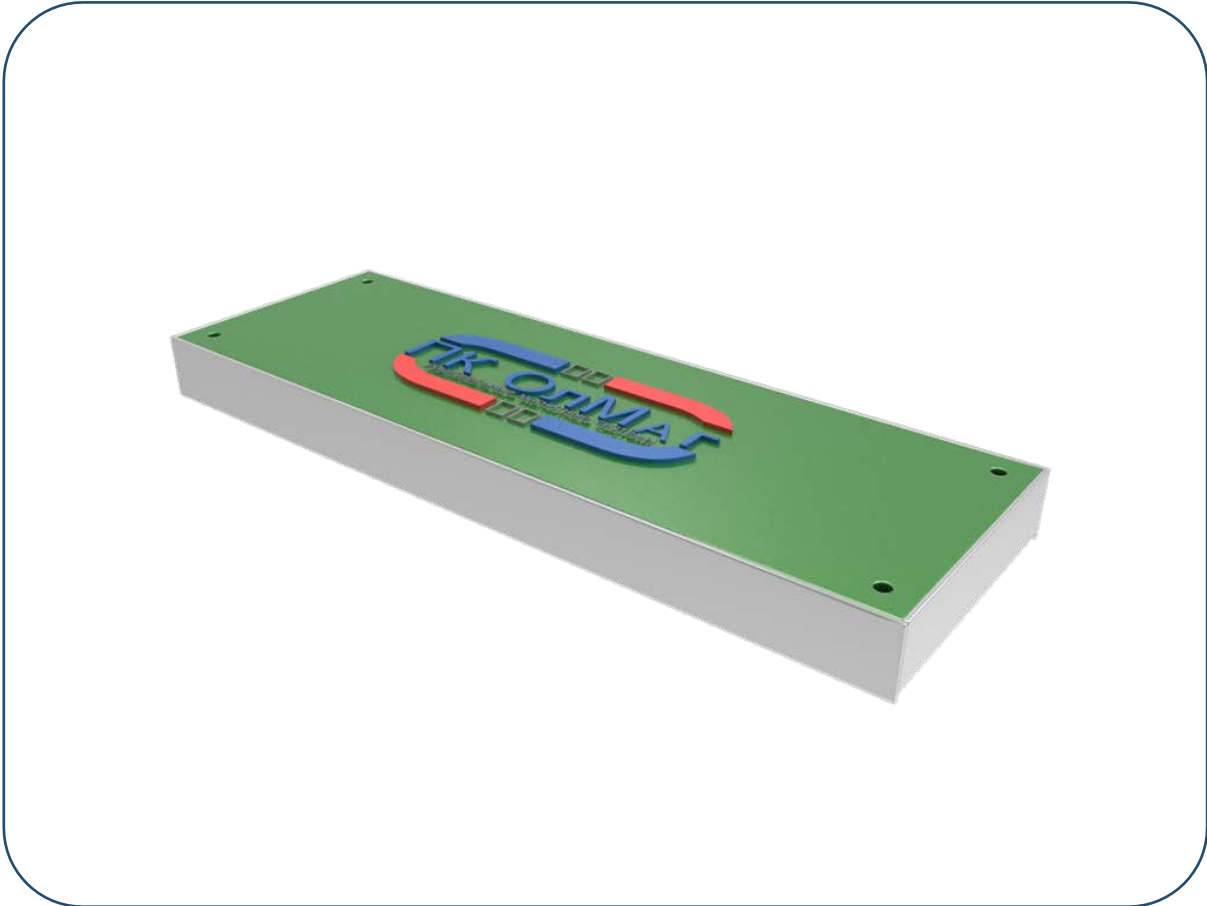
Plate magnetic separators are used for separating ferromagnetic intrusions from the stream of dry and grained material of various sizes moving in gravity pipes and at the overturning points.

Separated product moving on the working surface enters the magnetic field where ferromagnetic inclusions stay on the surface of magnetic plates, whereas non-magnetic product moves to the next production stage.



- Grate magnetic separators
- Suspended magnetic separators
- Drum magnetic separators
- Plate magnetic separators**
- Other magnetic systems

Magnetic separator PM

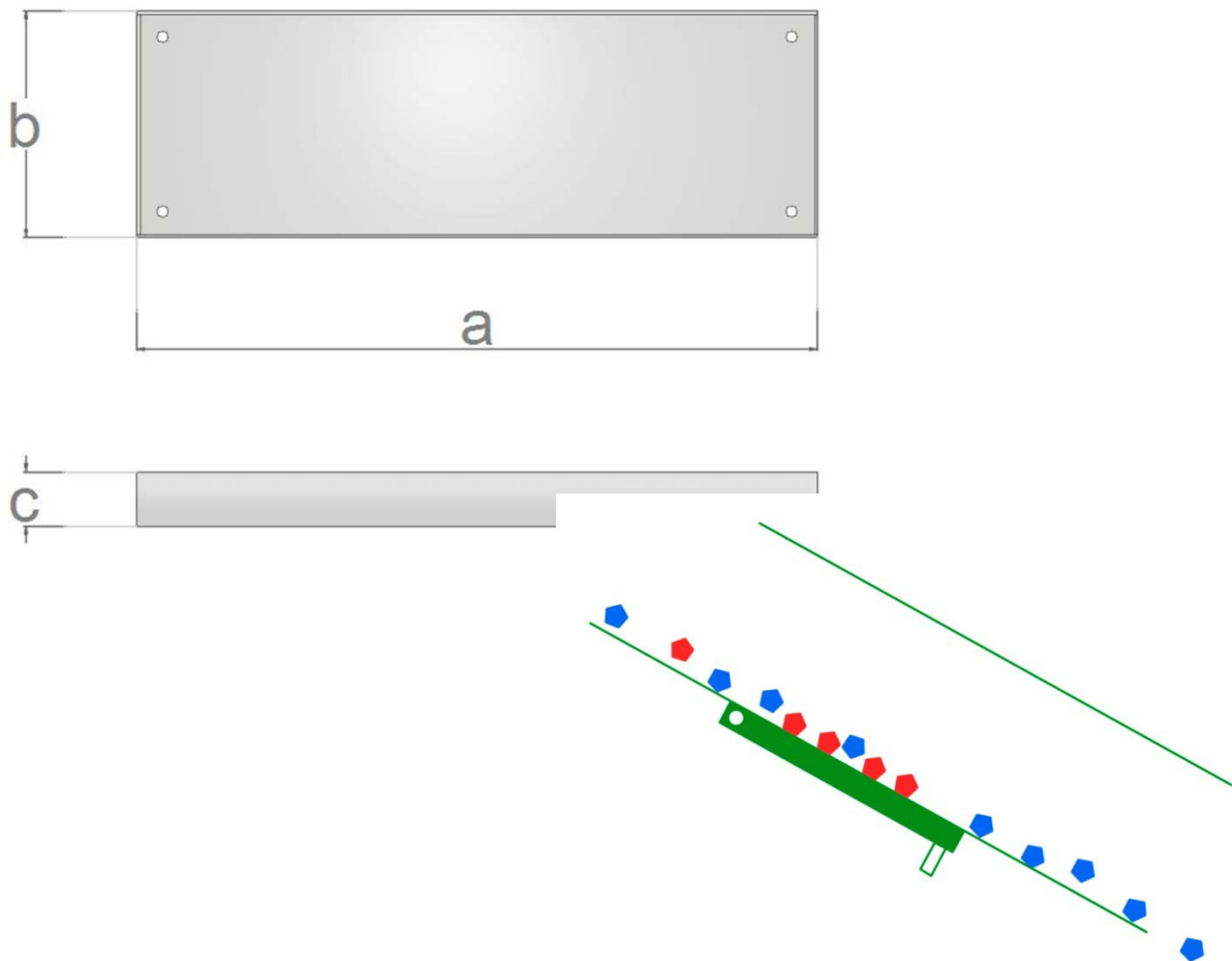


Product to separate	Bulk products: grain, feed-stuff, grits, groats, sugar, food ingredients, cereal, coffee, building mixes, construction mixes, plastic pellets
Installation	Pipeline
Cleaning	Manual, mechanical (sliding sheet)

PM is a rectangular plate with Ferrite or NdFeB magnetic system. It can be mounted with screws or by any other way according to the customer's requirements

Processed material moves on the separator's surface and gets into strong magnetic field, where ferromagnetic inclusions stay on the working area, while non-ferrous purified material moves to the next production stage.

PM separator is used when material moves actually on the separator's surface.



Model	Size, mm	Weight, kg	Magnet
PM-300x100x15B	700x200x45	6	Ferrite
PM-360x360x60	360x360x60	40	NdFeB
PM-800x500x50	800x500x50	90	NdFeB
PM-800x400x66B	800x400x66	60	Ferrite

Separator can be customized according to the individual requirements.

- Grate magnetic separators
- Suspended magnetic separators
- Drum magnetic separators
- Plate magnetic separators**
- Other magnetic systems

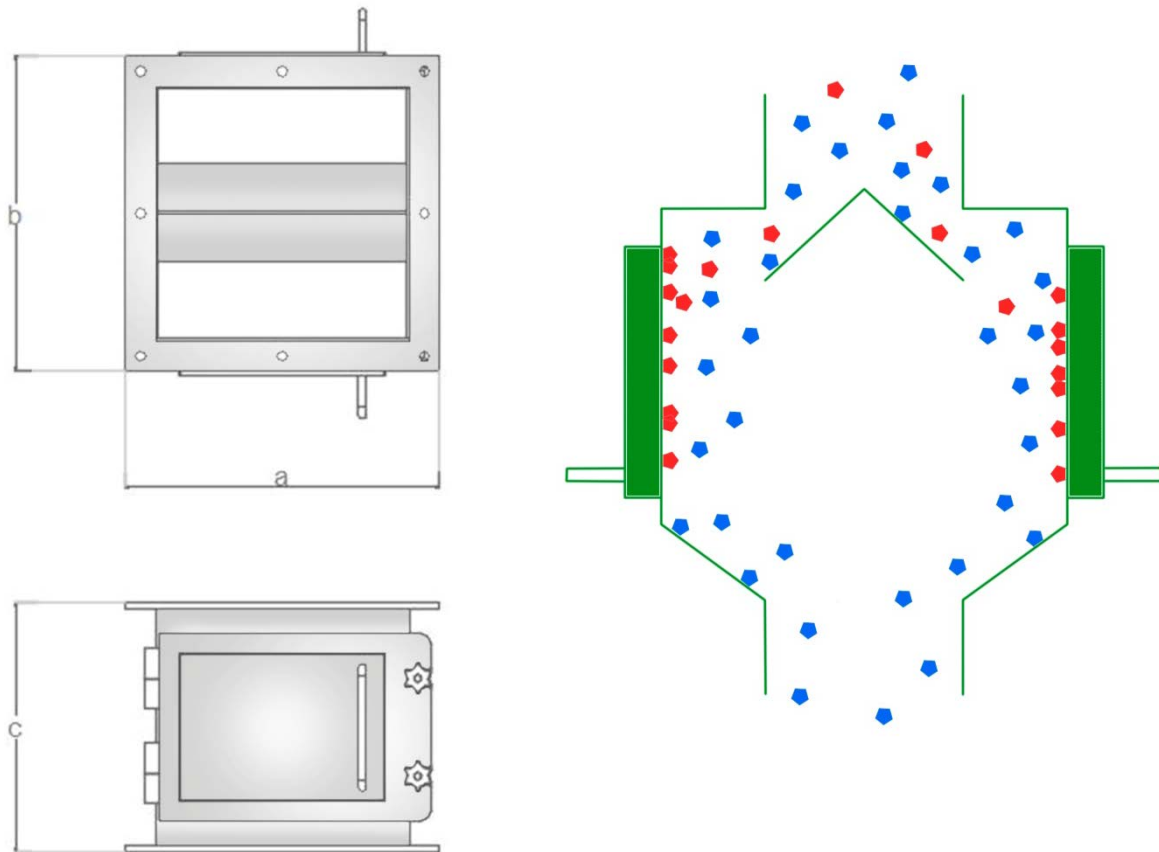
Drawer magnetic separator PSM



Product to separate	Dry free-flowing products: grain, feed-stuff, grits, groats, sugar, food ingredients, cereal, coffee, building mixes, construction mixes, plastic pellets
Installation	Pipeline
Cleaning	Manual, mechanical (sliding sheet)

PSM is a system of rare earth NdFeB or ferrite magnet blocks in housing with one or more doors installed in the gravity pipeline. The flow of the product goes through the separator and gets into the magnetic field. Ferromagnetic contaminations stay on the surface of plates, and non-ferrous separated products moves on to the next stage.

Magnetic separator PSM is cleaned by opening the door with magnetic plates and removing metal contaminations manually (with rags, brushes) or mechanically (with a sliding sheet).



Model	Quantity of plates	Size, mm	Inlet size, mm	Cleaning	Capacity, m3/h
PSM-2-150	2	500x435x320	D150	Manual	50
PSM-2K-300	2	D435x400	D300	Manual	200
PSM-1-300x300	1	450x450x400	300x300	Manual	200
PSM-1-400x400	1	600x500x450	400x400	Mechanical	340

Separator can be customized according to the individual requirements.

OTHER MAGNETIC SEPARATORS

Bullet magnetic separator SMK

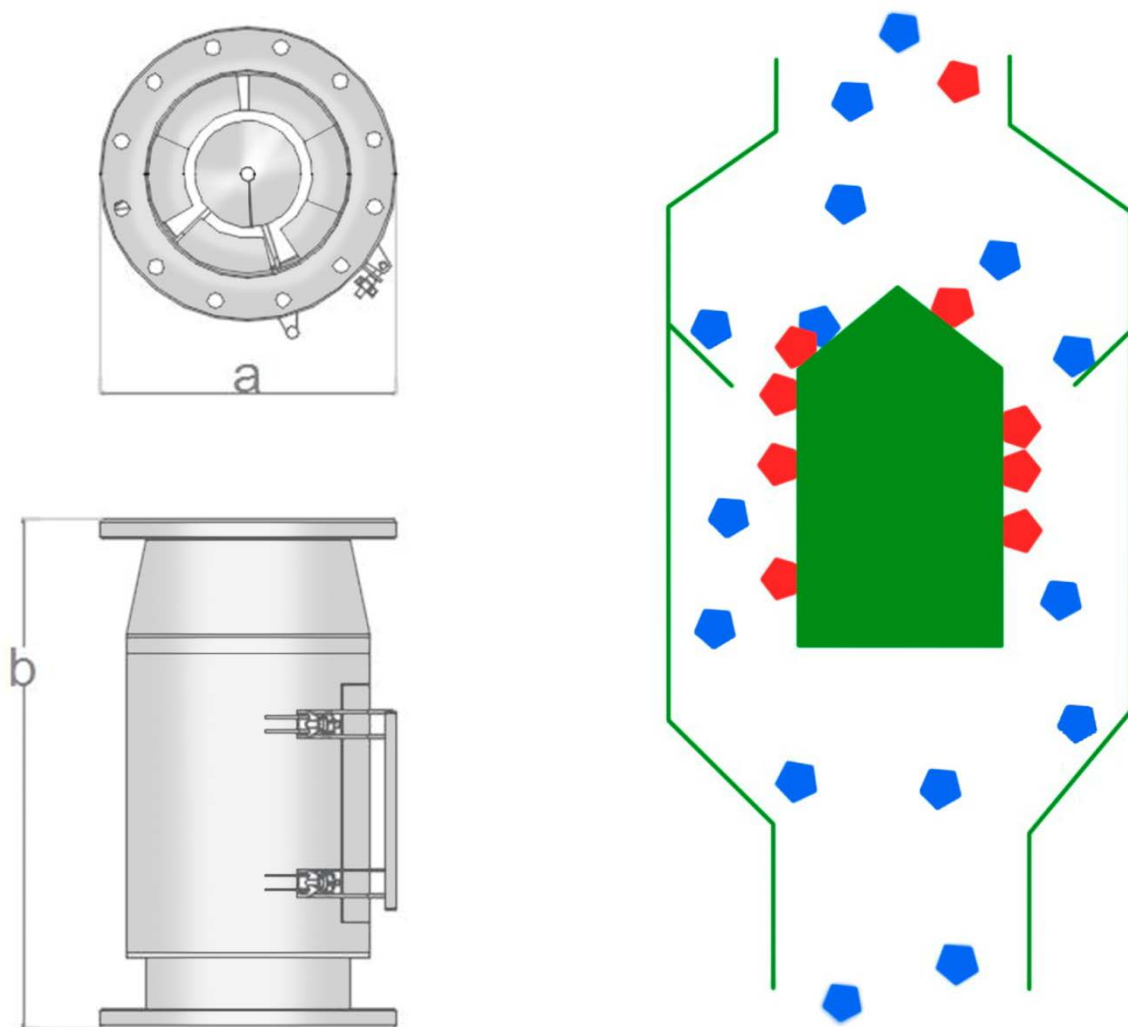


Product to separate	Dry free-flowing material: flour, grain, cereals, formula feed
Installation	Pipeline
Cleaning	Manual

SMK is a bullet magnetic separator in the cylinder case with magnetic system integrated in the door. The magnetic system consists of strong ferrite or rare earth NdFeB magnets.

Deflectors in the case direct the flow of material into the powerful magnetic field of the separator, which attracts ferromagnetic contaminants. Non-ferrous separated material passes to the next production stage.

To clean the separator open the door with magnetic system and clean the surface with rags or brushes.

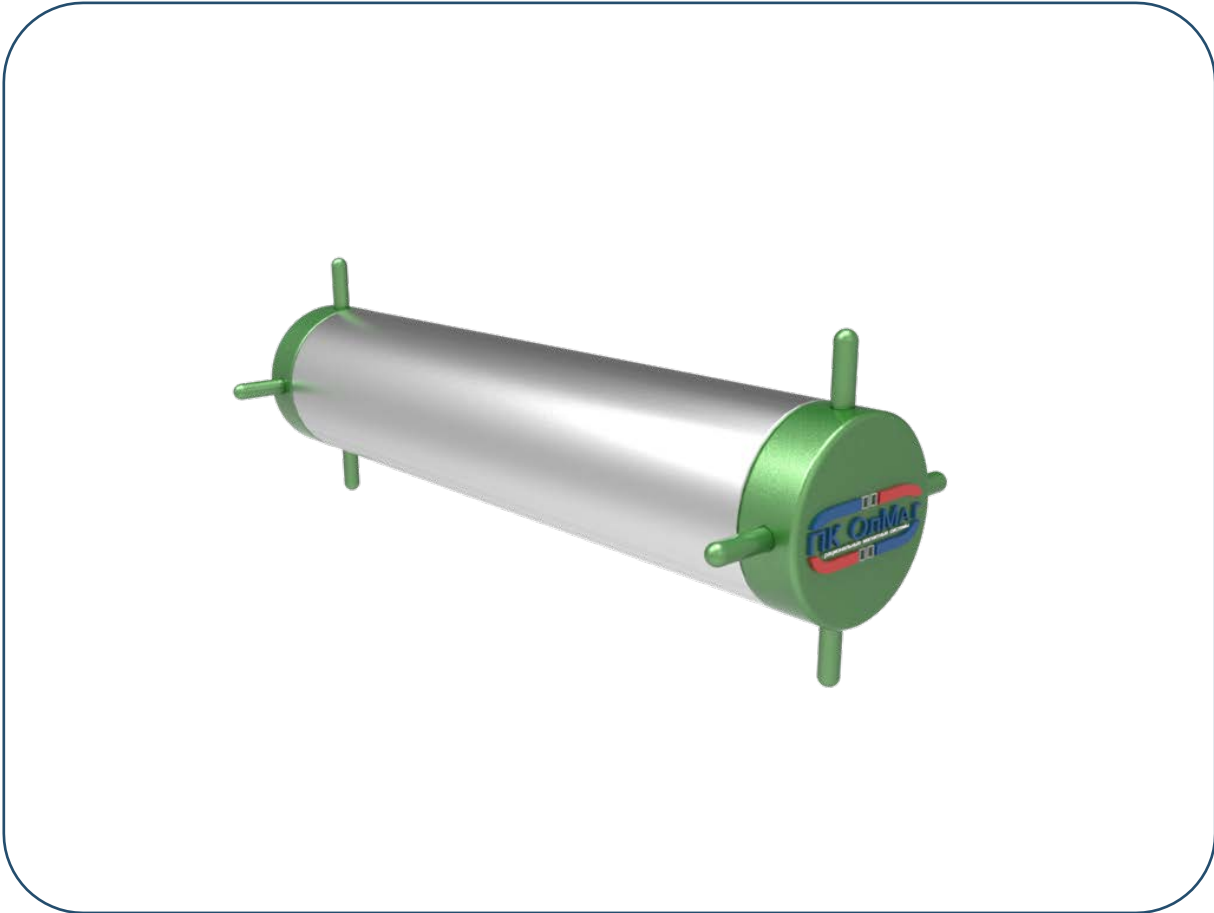


Model	Pipeline diameter, mm	Size, mm	Capacity, m ³ /h
SMK-140	140	D250x550	10
SMK-200	200	D340x700	15
SMK-300	300	D480x950	40

Separator can be customized according to the individual requirements.

- Grate magnetic separators
- Suspended magnetic separators
- Drum magnetic separators
- Plate magnetic separators
- Other magnetic systems**

Magnetic separator MBR



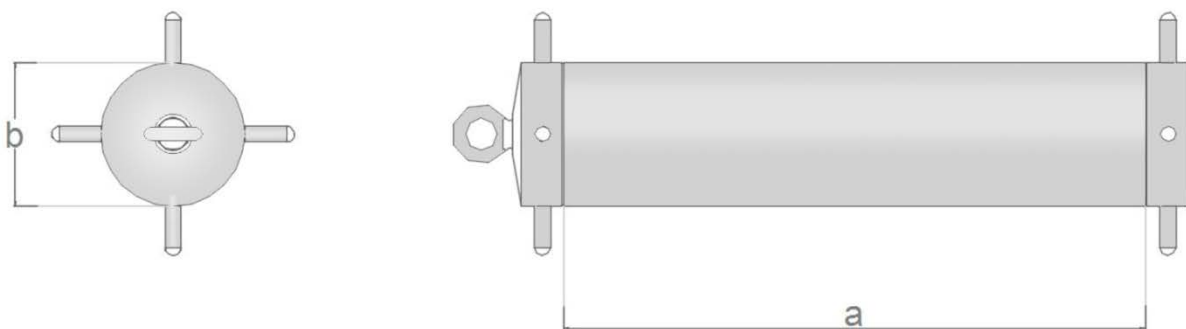
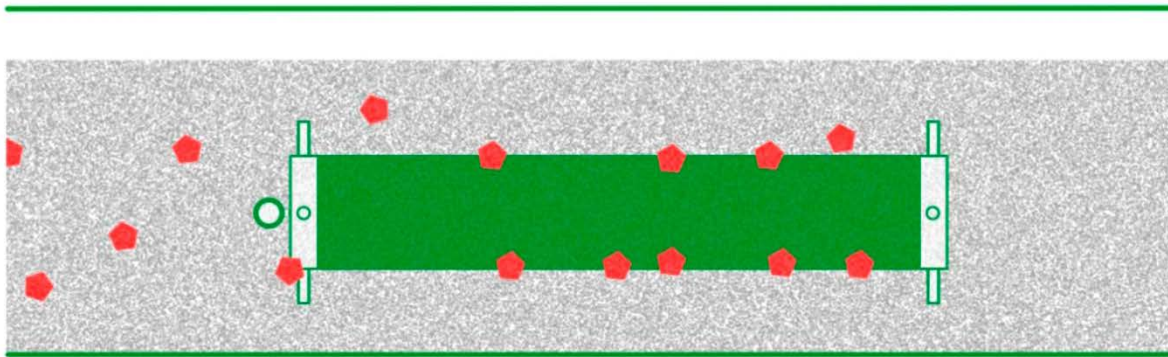
Product to separate	Drilling fluid
Installation	Cleaning channels of drilling fluid
Cleaning	Manual

Drilling fluid is used for lifting mud and rock remains in gas and oil drilling. During this process the fluid gets fouled with metal inclusions which can adversely affect drilling instruments, so it is regularly cleaned with special equipment, and magnetic separator MBR is one of them.

MBR is a powerful rare earth magnetic system in cylinder stainless steel housing, installed in a trough for drilling mud circulation. MBR can be used in sidetracking, too.

Drilling fluid gets into magnetic field of the MBR, where ferromagnetic inclusions stay on the surface of the separator, while non-ferrous fluid moves to the next cleaning stage.

MBR is cleaned manually with special scrapers, brushes, or rags.



Model	Size, mm	Weight, kg
MBR-1	D190x590	20
MBR-2	200x200x590	44
MBR-3	200x200x590	25



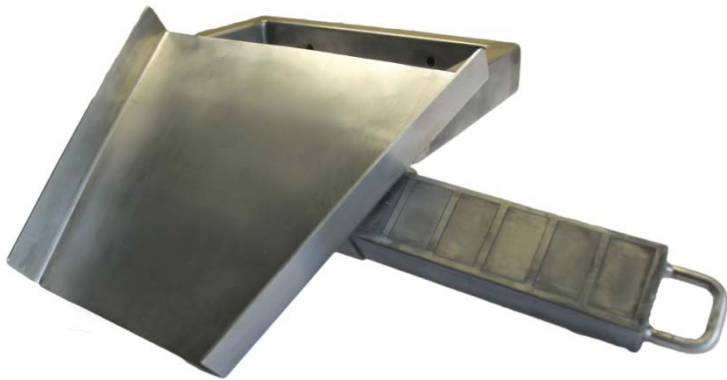
Separator can be customized according to the individual requirements.

Photos of our projects





! Separator can be customized according to the individual requirements.



Customers' feedbacks

СОЛНЕЧНЫЕ ПРОДУКТЫ
 ОТКРЫТОЕ АКЦИОНЕРНОЕ ОБЩЕСТВО
 «АТКАРСКИЙ МАСЛОЭКСТРАКЦИОННЫЙ ЗАВОД»

**ОБЩЕСТВО С ОГРАНИЧЕННОЙ ОТВЕТСТВЕННОСТЬЮ
 «КОНДИТЕРСКАЯ ФАБРИКА «БОГАТЫРЬ»**

124466, г. Москва, Зеленоград
 Телефон/факс: ИИН 771331487
 Р/с: 40702810200000001884 в К/с: 30101831011000000000 БИК: 040702810

Исх. № 04
 «31» января 2013 г.

Открытое акционерное общество
 «Знаменский сахарный завод» -
 Филиал «Никифоровский»
 Юридический адрес: 393401, Тамбовская обл., р.п. Знаменка
 Промышленный адрес: 393009, Тамбовская обл., Никифоровский р-п, р.п. Дмитриевка
 Тел. (475-36) 38-8-17; факс (475-36) 30-2-37;
 E-mail: nikifor@olmag.ru
 ИИН 680400019 КПП 68143001 ОГРН 1026801010466
 р/с: 40702810301000000120 Тамбовское ОСБ №8594
 к/с: 30101831010000000049 БИК/ОАБ: 8501649
 ОКПО 37672486 ОКВЭД 15.83

ООО «Кроп-пиво»
 ИНН 2313020150, КПП 231301001, ОГРН 1052307975356

352380, Красноярский край, г. Кропоткин, пер. Революционный, д. 1
 р/с: 40702810930420000239 Красноярское отделение № 8619 П.И.И.И.И.
 г. Красноярск, к/с: 30101831010000000062, БИК: 04034966
 тел. / факс (86138) 6-15-34 Бухгалтер

От 12.09.2016 года

Отзыв о сотрудничестве

Выражаем благодарность всему коллективу ООО «ПК Олмаг» за предоставление полной информации (консультации) о приобретаемом нами оборудовании СМР - 2 - 400 * 400 - 25 - 15 (двухрядная решетка, содержащая 11 расположенных в шахматном порядке), за качественное изготовление и своевременную доставку.

РУСАГРО
 сахар

Открытое акционерное общество
 «ЙОШКАР-ОЛИНСКАЯ КОНДИТЕРСКАЯ ФАБРИКА»

424002, Республика Марий Эл, г. Йошкар-Ола, ул. Я. Эшпа, д.136
 тел. (8362) 42-20-96, 42-19-01, ИИН 1215943310, БИК 048860720,
 к/с: 30101810100000000720, р/с: 407028105001000000247
 в Московском филиале ОАО «ГУТА-БАЛКС»

«23» августа 2016 г.
 Исх. № 488

Генеральному директору
 ООО «ПК Олмаг»
 О.А. Сосуну

Отзыв о сотрудничестве

В 2015 году на нашей фабрике проводился конкурс по поставке магнитных сепараторов серии СМР и ССМГ. По результатам проведенного мониторинга одержала победу компания ООО «ПК Олмаг».

При заказе оборудования специалистами ООО «ПК Олмаг» быстро и качественно подготовили оборудование с учетом всех пожеланий наших специалистов, стались уважительные железобетонные примесей и предотвращение попадания пыли. За время работы магнитных сепараторов отказов и боев в их работе не было.

ОАО «Йошкар-Олинская кондитерская фабрика» благодарит Вашу компанию за индивидуальный подход и решение поставленных задач и надеется на дальнейшее взаимовыгодное сотрудничество.

Исх. № 43 от 07.08.2015 года

Представителю
 ООО «БМА Русланд»
 на ОАО «Знаменский сахарный завод» - Филиал

ПОЛИМЕТАЛЛ

40440, Свердловская область,
 г. Екатеринбург, ул. Фрунзенская, д. 4
 тел. факс: (343) 371-9370
 ил. факс: (343) 371-9370

ИИН 660700104
 ОГРН 1026600000000
 БИК 040607000
 р/с: 40702810301000000000
 к/с: 30101831010000000000

Информационное письмо.

18 марта 2014 года на грототе ГИТ-51М был установлен магнитный сепаратор производства ООО «ПК Олмаг». Конструкция рамы позволяет изменять высоту рабочей поверхности сепаратора над полом производственного цеха - 300 мм. Выгрузка вымываемого материала производится 1 раз в 5-6 часов. Масса порции составляет от 25 до 30 кг.

На 28 марта 2014 года сепаратор обработал 240 тонн часов. За это время сепаратор отделил 1050 кг материала. Внутренний оседал в скрапе вышло около 20% рудного материала. Значительной по работе агрегата нет.

Состояние удовлетворительное, установка пригодна для дальнейшей эксплуатации. Магнитный сепаратор производства ООО «ПК Олмаг» отвечает всем требованиям и условиям применения на производственных мощностях ВФФ УВН.

Начальник ВФФ УВН
 ЗАО «Золото Северного Урала»

И.Ю. Руснов

**ЗАКРЫТОЕ АКЦИОНЕРНОЕ ОБЩЕСТВО
 «РИЗАНСКИЙ ЗАВОД СИЛИКАТНЫХ ИЗДЕЛИЙ»**

380043, Рязань, пр. Шахматов 3
 Тел. (4912) 23-71-23
 Т.факс: (4912) 23-99-47
 ИИН 600100000000000000
 ОГРН 102600000000000000
 р/с: 40702810200000000000
 к/с: 30101831010000000000
 БИК 040607000
 г. Рязань
 ИИН 600100000000000000
 код по ОКПО - 05293627

Отзыв о сотрудничестве

В апреле 2014 года между нашими организациями был заключен договор на поставку магнитного сепаратора СМР-600-100, предназначенного для измельчения металлов. Магнитный сепаратор был поставлен в срок и в полном объеме. Были учтены все пожелания заказчика по оборудованию, обслуживанию, ремонту, а также обучение персонала. Оборудование работает без проблем.

Директору
 ООО «ПК Олмаг»

«М»

Общество с ограниченной ответственностью
 «ПК Металлон»

ОГРН 5056900108440 ИИН 600100000000000000
 г. Тверь, 50 лет Октября, 17а.
 Тел./Факс (4822) 35-19-86; моб. +7-910-930-44-44
 E-mail: sales@metallon69.ru, http://metallon.ru

Исх. №1102 от 14.10.2013 г.

Генеральному директору
 ООО «ПК Олмаг» Сосуну О.А.

Отзыв о сотрудничестве.

предприятием, занимающимся производством изделий, был приобретен магнитный барабан «Олмаг». Шахматный магнитный барабан был использован в качестве привода. Магнитный барабан показал себя как эффективное и удобное в обслуживании оборудование. Отказов в работе по вине поставщика не наблюдалось.

Уважаемый Антон Владимирович!

В феврале 2015 года нашим предприятием был приобретен магнитный сепаратор производства ООО «ПК Олмаг». За время эксплуатации данный сепаратор показал себя как эффективное решение по очистке от примесей, так и слабомагнитного материала. По изготовлению конструкций ведется с учетом пожеланий заказчика. Мы рады сотрудничеству с Вашей компанией.

ОРИОН СПЕЦСЛАВ ГАТЧИНА

Исх. №119/05/16 от «05» мая 2016 года

ООО «ПК Олмаг»
 Элант А. В.

Уважаемый Антон Владимирович!

В феврале 2015 года нашим предприятием был приобретен магнитный сепаратор производства ООО «ПК Олмаг». За время эксплуатации данный сепаратор показал себя как эффективное решение по очистке от примесей, так и слабомагнитного материала. По изготовлению конструкций ведется с учетом пожеланий заказчика. Мы рады сотрудничеству с Вашей компанией.

Генеральному директору
 ООО «ПК Олмаг»

В.И. Шехонов

**ОБЩЕСТВО С ОГРАНИЧЕННОЙ ОТВЕТСТВЕННОСТЬЮ
 «Природные ресурсы М»**

Расчетный реквизит:
 Р/с: 40702810301000000000
 Бюджетный счет:
 ОАО «Россельхозбанк» г. Волгоград
 к/с: 30101831010000000000
 БИК: 040702810
 ИИН: 5110017181 КПП: 511901001
 ОГРН: 104110000000000000

Адрес: Волгоградская обл.,
 Чиряковский р.п., ст. Мухоморова,
 ул. Вольная, д. 11
 тел./факс: (472) 545-07,
 5-74-71
 E-mail: prr@prirodnymr.ru

Директору ООО «ПК Олмаг»
 Сосуну О.А.

БЛАГОДАРСТВЕННОЕ ПИСЬМО

Общество с ограниченной ответственностью «Природные ресурсы М» выражает искреннюю благодарность ООО «ПК Олмаг» за качественную и своевременную поставку магнитных сепараторов, которые используются в составе оборудования мукомольного комплекса.

С Уважением,
 Директор
 ООО «Природные ресурсы М» Махотин И.Г.

ООО «ОБЪЕДИНЕННЫЕ КОНДИТЕРЫ»

ЗАКРЫТОЕ АКЦИОНЕРНОЕ ОБЩЕСТВО
 «СОРМОВСКАЯ КОНДИТЕРСКАЯ ФАБРИКА»

ул. Вадковская, д. 10, 603000, г. Нижний Новгород, Российская Федерация. Тел. (831) 225-30-04, Факс (831) 225-11-15

Исх. № 02/14/20

Генеральному директору
 ООО «ПК Олмаг»

Отзыв о сотрудничестве

В 2015 году нашей компанией проводился тендер на поставку магнитных сепараторов. Компания ООО «ПК Олмаг» вновь одержала победу по показателям качества оборудования, его надежности, уровню реально обеспечиваемого сервисного обслуживания.

По результатам тендера специалистами ООО «ПК Олмаг» в быстрые сроки были изготовлены 13 магнитных сепараторов серий ПМ, СМР и МС. За время работы, все перечисленные изделия зарекомендовали себя как надежное, эффективное и удобное в обслуживании оборудование. Отказов в работе по вине поставщика не наблюдалось.

Победа в тендере является еще одним этапом развития сотрудничества наших компаний, подтверждая то, что компания ООО «ПК Олмаг» строит взаимоотношения со своими клиентами на перспективной, долгосрочной основе, сотрудничая с нами профессионально и подолзает к решению вопросов, учитывая все желания и возможности клиентов.

ЗАО «Сормовская кондитерская фабрика» благодарит компанию ООО «ПК Олмаг» за индивидуальный подход и решение поставленных задач. Мы и в дальнейшем планируем продолжать взаимовыгодное сотрудничество с Вашей компанией.

С Уважением,
 Технический директор
 ЗАО «Сормовская кондитерская фабрика» С.Н.

ОРИОН СПЕЦСЛАВ ГАТЧИНА

Исх. №119/05/16 от «05» мая 2016 года

ООО «ПК Олмаг»
 Элант А. В.

Уважаемый Антон Владимирович!

В феврале 2015 года нашим предприятием был приобретен магнитный сепаратор производства ООО «ПК Олмаг». За время эксплуатации данный сепаратор показал себя как эффективное решение по очистке от примесей, так и слабомагнитного материала. По изготовлению конструкций ведется с учетом пожеланий заказчика. Мы рады сотрудничеству с Вашей компанией.

Генеральному директору
 ООО «ПК Олмаг»

В.И. Шехонов

Our certificates

EAC ТАМОЖЕННЫЙ СОЮЗ
ДЕКЛАРАЦИЯ О СООТВЕТСТВИИ

Заявитель, Общество с ограниченной ответственностью «ПК Олмаг», ОГРН: 1117746975928
Место нахождения: 105568, Россия, город Москва, улица Челябинская, дом 19, корпус 4, офис 3, Фактический адрес: 109383, город Москва, улица Шоссе́нная, дом 90, строение 1
Телефон: 84959715304, Факс: 84959715304, E-mail: info@pk-om.ru
в лице Генерального директора Соснова Олега Анатольевича
заявляет, что Сепаратор магнитный, серии СМР, СМРУ, ПМ, СМНР, СМПА, БСМ, СМБ, ССМ, ССМ, ССМТ, СМД, МБР, ССЖ, МС,
изготовитель Общество с ограниченной ответственностью «ПК Олмаг», М место нахождения: 105568, Россия, город Москва, улица Челябинская, дом 19, корпус 4, офис Фактический адрес: 109383, город Москва, улица Шоссе́нная, дом 90, строение 1 продукция изготовлена в соответствии с ТУ 3132-001-37286285-2014 «СЕПАРА МАГНИТНЫЙ. ТЕХНИЧЕСКИЕ УСЛОВИЯ» от 01.01.2014 года.
Код ТН ВЭД 847989708, Серийный выпуск
соответствует требованиям
ТР ТС 004/2011 "О безопасности низковольтного оборудования"; ТР ТС 010/2011 "О безопасности машин и оборудования"; ТР ТС 020/2011 "Электромагнитная совместимость технических средств".
Декларация о соответствии принята на основании
протокола испытаний № А0415-12-2014 от 31.12.2014 года, Испытательной лаборатории центра Общество с ограниченной ответственностью «Астория», аттестат аккредитации № РОСС RU.0001.21М368 от 28.10.2011 года по 28.10.2016 года
Дополнительная информация
Условия хранения продукции: при температуре от -5°С до +55°С, относительной влажности воздуха не более 85%. Срок хранения – не ограничен, срок службы – 10 лет
Декларация о соответствии действительна с даты регистрации по 29.04.2022 включительно

О.А. Соснов
(инициалы и фамилия руководителя организации-заявителя или физического лица, зарегистрированного качестве индивидуального предпринимателя)

Сведения о регистрации декларации о соответствии:
Регистрационный номер декларации о соответствии: ТС N RU Д-RLAU40.B.06958
Дата регистрации декларации о соответствии: 30.04.2015

EAC ТАМОЖЕННЫЙ СОЮЗ
ДЕКЛАРАЦИЯ О СООТВЕТСТВИИ

Заявитель, Общество с ограниченной ответственностью «ПК Олмаг», ОГРН: 1117746975928, Сведения о государственной регистрации: Основной государственный регистрационный номер: 1117746975928, Зарегистрировано Межрайонной инспекцией Федеральной налоговой службы № 46 по городу Москве
Адрес: 105318, РОССИЯ, город Москва, улица Ибрагимова, дом 35, строение 2, помещение 1, комната 14, Фактический адрес: 105318, РОССИЯ, город Москва, улица Ибрагимова, дом 35, строение 2, помещение 1, комната 14, Телефон: +74959715304, E-mail: info@pk-om.ru
в лице Генерального директора Соснова Олега Анатольевича
заявляет, что Оборудование технологическое для пищевой промышленности: Сепаратор магнитный серии МС, СМР, СМРУ, ПМ, СМП, СМНР, СМПА, БСМ, СМБ, БСМК, ССМ, ССМА, ПСМ, ССМТ, СМК, ССМВ, СМВ
изготовитель Общество с ограниченной ответственностью «ПК Олмаг», Адрес: 105318, РОССИЯ, город Москва, улица Ибрагимова, дом 35, строение 2, помещение 1, комната 14, Фактический адрес: 105318, РОССИЯ, город Москва, улица Ибрагимова, дом 35, строение 2, помещение 1, комната 14
Код ТН ВЭД 8438809900, Серийный выпуск, Продукция изготовлена в соответствии с ТУ 3132-001-37286285-2016
соответствует требованиям
ТР ТС 004/2011 "О безопасности низковольтного оборудования"; ТР ТС 010/2011 "О безопасности машин и оборудования"; ТР ТС 020/2011 "Электромагнитная совместимость технических средств"
Декларация о соответствии принята на основании
Протокола испытаний № 5313/15, 5314/15, 5315/15 центра Общество с ограниченной ответственностью «Астория» от 26.12.2017 года
Дополнительная информация
Условия хранения продукции в соответствии с IT (по ГОСТу) указаны в прилагаемой к Продукции товарно-эксплуатационной документации.
Декларация о соответствии действительна включительно

М.П.
(инициалы и фамилия руководителя организации-заявителя или физического лица, зарегистрированного качестве индивидуального предпринимателя)

Сведения о регистрации декларации о соответствии:

Система добровольной сертификации систем менеджмента, персонала, производства, продукции, работ и услуг "ПСК СОЮЗ"
РОСС RU.31529.04ИЖСО № 006188
Ltd. "UNION TEST" (BIN 1153926031600)
236039, city of Kaliningrad, avenue of Kalinin, house 67, office 1
8-(4012) 373-693, 8-800-700-97-87 psks2012@yandex.ru
CERTIFICATE OF CONFORMITY
№ ПК.РУ.0001.Р391589
Date of issue: 15.12.2017 Valid until: 14.12.2020

Limited Liability Company "PC OIMAG" (LLC "PC OIMAG")
Legal address:
109383, Moscow, Peschanyi karier, bld.3, office 308
TIN: 7719797099

This certificate certifies:
Quality management system applied to: design, manufacture and sale of permanent magnets and magnetic systems based on them; designing, manufacture and sale of magnetic separators, magnetic coarse grippers, magnetic retainers and magnetic formwork systems; design, manufacture and sale of special purpose magnetic systems

CONFORMS TO REQUIREMENTS
GOST R ISO 9001-2015 (ISO 9001: 2015)

Head of the certification body for quality management systems: *И.И. Кайгородов D.V.*
Expert of the certification body: *Ван' А.У.*

СИСТЕМА СЕРТИФИКАЦИИ ГОСТ Р
ФЕДЕРАЛЬНОЕ АГЕНТСТВО ПО ТЕХНИЧЕСКОМУ РЕГУЛИРОВАНИЮ И МЕТРОЛОГИИ
СЕРТИФИКАТ СООТВЕТСТВИЯ
№ РОСС RU.МГ11.Н00734
Срок действия с 15.12.2017 по 14.12.2020
№ 0212244

ОРГАН ПО СЕРТИФИКАЦИИ рег. № RA.RU.11МГ11, ООО «Идеал Тест». Юридический адрес: 127238, город Москва, Локомотивный проезд, дом № 21, корпус 5, помещение 1, комната 32. Телефон: +7(495) 755-93-41

ПРОДУКЦИЯ Сепаратор магнитный. Модель: СМР, ПМ, СМНР, СМПА, БСМ, СМБ, БСМК, ССМ, ПСМ, ССМТ, ССМА, СМД, МС, СМВ, ССМВ, СМВТ, ССЖ, МБСМ, ТУ 3132-001-37286285-2014 Серийный выпуск. КОД ОК 28.92.40.110

СООТВЕТСТВУЕТ ТРЕБОВАНИЯМ НОРМАТИВНЫХ ДОКУМЕНТОВ ТУ 3132-001-37286285-2014 КОД ТН ВЭД

ИЗГОТОВИТЕЛЬ Общество с ограниченной ответственностью «ПК Олмаг», Адрес: 109383, г. Москва, Песчаный карьер, д.3, стр. 1, офис 308., Телефон: (495) 971-53-04 ОГРН: 1117746975928.

СЕРТИФИКАТ ВЫДАН Общество с ограниченной ответственностью «ПК Олмаг», Адрес: 109383, г. Москва, Песчаный карьер, д.3, стр. 1, офис 308., Телефон: (495) 971-53-04 ОГРН: 1117746975928.

НА ОСНОВАНИИ Протокола испытаний № 3580/01/12-2017 от 15.12.2017 г., выдан ИЛ "ИТО" аттестат № ESTD.L.004 от 03.02.2017 года, адрес: МО, г. Видное, Каширское шоссе, владение 9, строение 2

ДОПОЛНИТЕЛЬНАЯ ИНФОРМАЦИЯ Система сертификации: 3.

Руководитель органа: *А.А. Черепанова*
Эксперт: *К.Н. Щетинин*

Сертификат не применяется при обязательной сертификации

СИСТЕМА СЕРТИФИКАЦИИ
ФЕДЕРАЛЬНОЕ АГЕНТСТВО ПО ТЕХНИЧЕСКОМУ РЕГУЛИРОВАНИЮ И МЕТРОЛОГИИ
СЕРТИФИКАТ СООТВЕТСТВИЯ
№ РОСС RU.ПШ01.Н04551
Срок действия с 11.07.2018

ОРГАН ПО СЕРТИФИКАЦИИ рег. № RA.RU.11ПШ01, ООО "Конур-Сервис"
Место нахождения: Российская Федерация, 101000, г. Москва, ул. Мясницкая, д.41, стр.4-3.
Адрес электронной почты: info@konur.ru

ПРОДУКЦИЯ Сепаратор магнитный серии МС, СМР, СМРУ, ПМ, СМНР, СМПА, БСМ, СМБ, БСМК, ССМ, ССМА, ПСМ, ССМТ, ССМВ. Серийный выпуск.

СООТВЕТСТВУЕТ ТРЕБОВАНИЯМ НОРМАТИВНЫХ ДОКУМЕНТОВ ТУ 3132-001-37286285-2014

ИЗГОТОВИТЕЛЬ Общество с ограниченной ответственностью «ПК Олмаг», ОГРН: 1117746975928, ИНН: 7719797099, КПП: 771901001. Адрес: 105318, стр.2 пом.1, ком.14. Телефон: +84959715304, E-mail: info@pk-om.ru

СЕРТИФИКАТ ВЫДАН Общество с ограниченной ответственностью «ПК Олмаг», ОГРН: 1117746975928, ИНН: 7719797099, КПП: 771901001. Адрес: 105318, стр.2 пом.1, ком.14. Телефон: +84959715304, E-mail: info@pk-om.ru

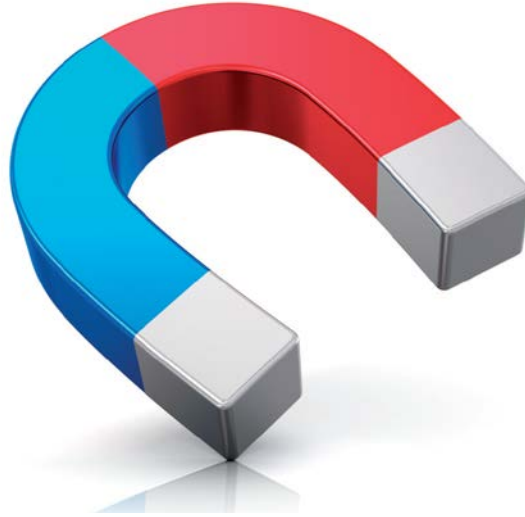
НА ОСНОВАНИИ Протокола испытаний № 5295/15 от 11.07.2018 года, выдан ИЛ "ИТО" аттестат № ESTD.L.004 от 03.02.2017 года, адрес: МО, г. Видное, Каширское шоссе, владение 9, строение 2

ДОПОЛНИТЕЛЬНАЯ ИНФОРМАЦИЯ Система сертификации: 3.

Руководитель органа: *С.А. Назарова*
Эксперт: *И.А. Александрова*

Сертификат не применяется при обязательной сертификации

Dear partners and customers!



Our separators are used in a wide range of industries, including:

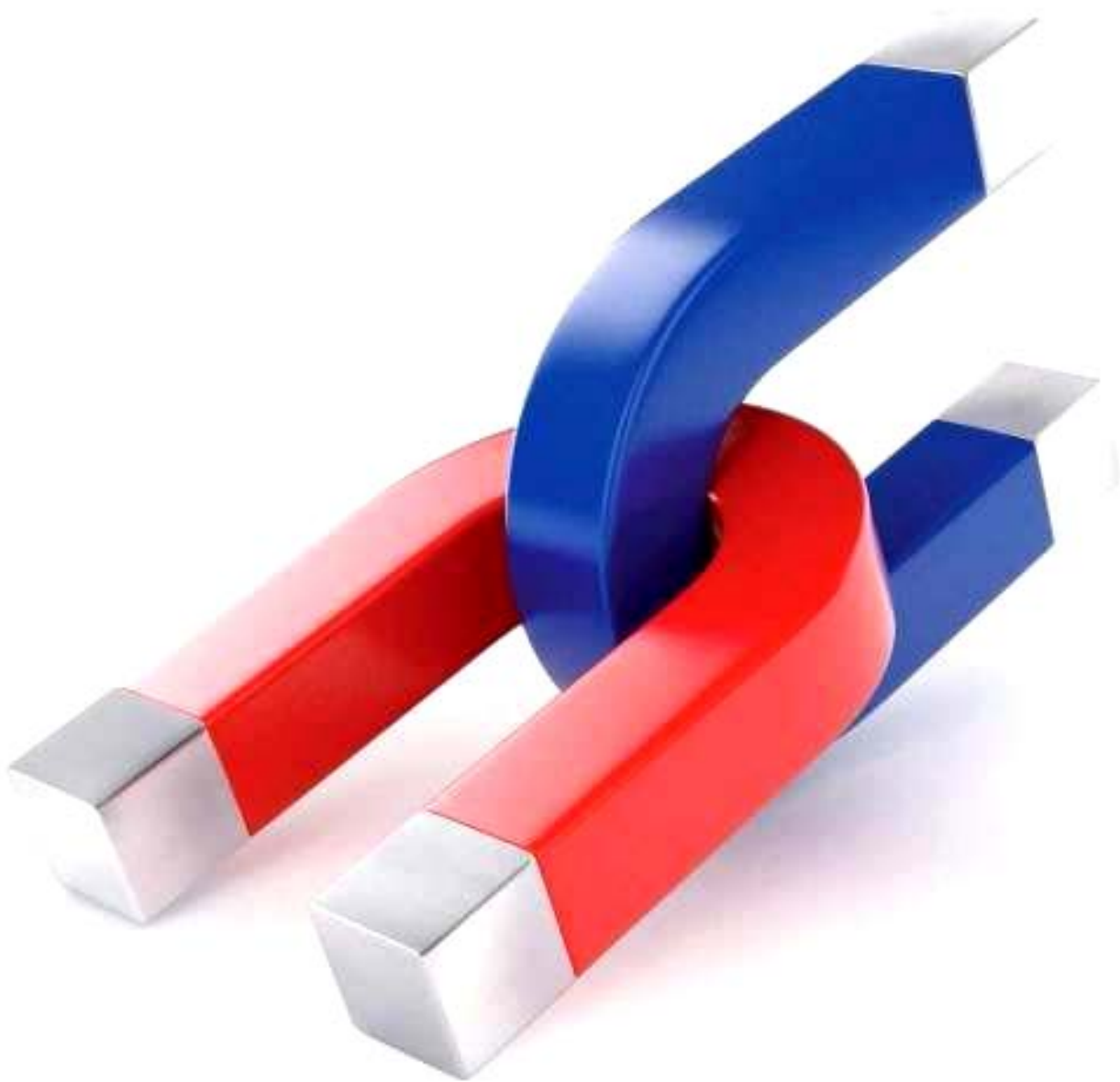
- Food industry
- Mining industry
- Cellulose and paper industry
- Construction engineering
- Woodworking industry
- Glass industry
- Ceramic industry
- Chemical industry
- Recycling of industrial rubber goods
- Solid waste separation
- Production and processing of polymer materials
- Agro-industrial enterprises

Working with us you receive:

- ✓ High quality products from Russian manufacturer at the best price and at the earliest period available
- ✓ Prompt design engineering according to individual requirements for Your production line
- ✓ Warranty on our equipment and after-sale service

Looking forward to long-term and mutually beneficial cooperation!

Your quality is our task!



PK AllMag, OOO
Russia, Moscow
Tel. +7 (495) 971-53-04
Tel. +7 (499) 322-98-07
info@pk-om.ru
www.pk-om.ru (Russian)
www.magnetsep.com (English)